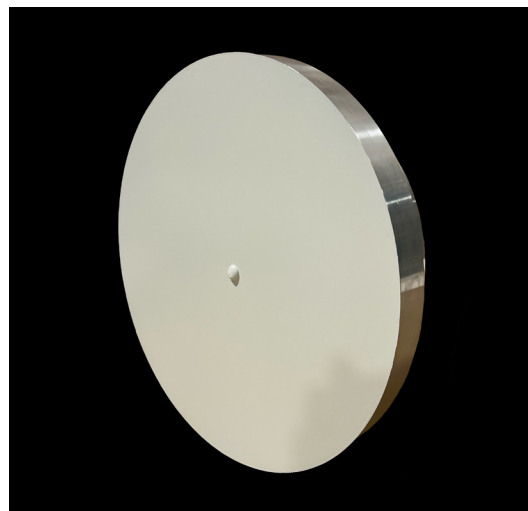


Model

FPP2DC-33-S

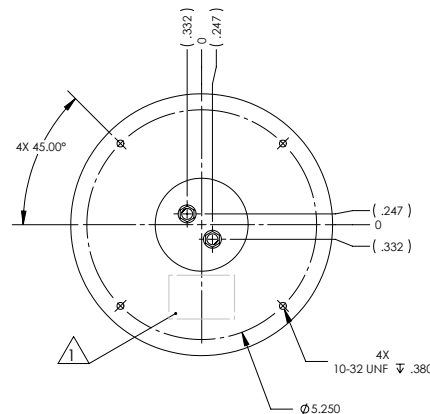
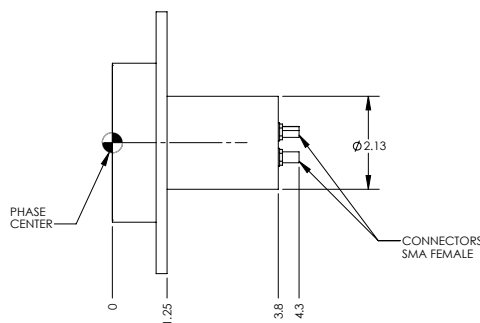
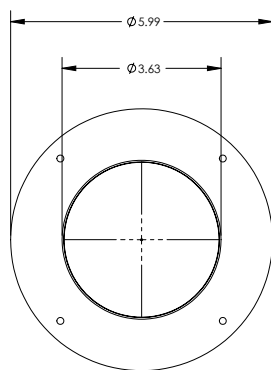
2.60 - 3.95 GHz
 Dual Circular Prime Focus Feed / Wide Beam
 Standalone Antenna

mWAVE's Dual Circular Prime Focus Feed / Wide Beam Standalone Antennas are available in wide variety of frequency bands and configurations to meet our customers needs. Designed for the most demanding RF and environmental conditions, these antennas deliver consistant performance year after year. Engineered for fixed, mobile or positioner installations.
 Made in the USA .



Configuration

Frequency Band	2.60 - 3.95 GHz
Type	Dual Circular Prime Focus Feed / Wide Beam / Standalone Antenna
Feed Input	SMA female
Mounting	Interchangeable quick disconnect mounting
f/d ratio reflector	Designed for a 0.375 f/d ratio reflector can be used with 0.35 - 0.42 f/d reflectors.
On-axis axial ratio	1.5 dB or less
Average VSWR	<1.5:1
Nominal gain	Approximately 8.5 - 10.5 dBic over the frequency band
Beamwidth	63° nominal 3dB beamwidth.
Power	20W CW power handling (alternate higher power models available)
Environmental use	Sealed for outdoor use
Construction	Single piece aluminum
Finish	Chemical Conversion per MIL-DTL-5541F, Type 2, Class 1A, Clear finish
Container	Corrugated box
Origin	Engineered and Manufactured in Windham, ME USA



Notes: (1.) Referenced product specifications are subject to change without notice.
 Designed, Engineered, and Manufactured in Windham, ME USA
 mWAVE Industries is part of the Alaris Holdings Group of Companies.
 © mWAVE Industries LLC - 2022 All rights reserved

Form: FPP2DC-33-S-220621_rev.1-DS.

