

Model

FPP1DC-333-K

26.50 - 40.00 GHz - Ka Band
Dual Circular Prime Focus Feed

mWAVE's FPP1DC-333-K operates at 26.50 – 40.00 GHz and is a dual circular prime focus feed equipped with a K female input. This model is one of mWAVE's comprehensive line of scalar feeds which operate over full waveguide frequency bands.

These antenna feeds exhibit superior cross polarization discrimination and low VSWR. All feeds in this category share identical mounting and focal point placement, offering a truly interchangeable feed system. This feature makes them excellent candidates for outfitting antenna test ranges, portable multi-band coverage communications systems and can be used in other wideband or narrow band communications applications.



Configuration

Frequency Band	26.50- 40.00 GHz / Ka Band
Type	Dual Circular Prime Focus Feed (Linear, Dual and CP models available)
Feed Input	K female
Mounting	6-in (152-mm) mounting, interchangeable quick disconnect mount
f/d ratio reflector	Designed for a 0.375 f/d ratio reflector can be used with 0.35 - 0.42 f/d reflectors
On-axis axial ratio	1.5 dB or less
Average VSWR	<1.5:1
Power	20W CW power handling (alternate higher power models available)
Environmental use	Sealed for outdoor use
Construction	Parts machined from high-strength 6061-T6 aluminum stock
Finish	Chemical Conversion per MIL-DTL-5541F, Type 2, Class 1A, Clear finish
Origin	Engineered and Manufactured in Windham, ME USA

Specification Notes:

1. Optional waveguide polarizers are available for scalar feed models for CP requirements.
2. Dual linear versions of Model FPP1DC-333-K antenna feed are also available.
3. Scalar feed models can be optimized for alternate f/d ratio reflectors.
4. An additional mounting plate can be added to suit customer specific mounting requirements.
5. Alternate coaxial input styles are available upon request.
6. Scalar feeds with waveguide inputs are capable of handling higher transmit power.

- Notes: (1.) Referenced product specifications are subject to change without notice.
Designed, Engineered, and Manufactured in Windham, ME USA
mWAVE Industries is part of the Alaris Holdings Group of Companies.
© mWAVE Industries LLC - 2022 All rights reserved

Form: FPP1DC-333-K-220714_rev.0-DS

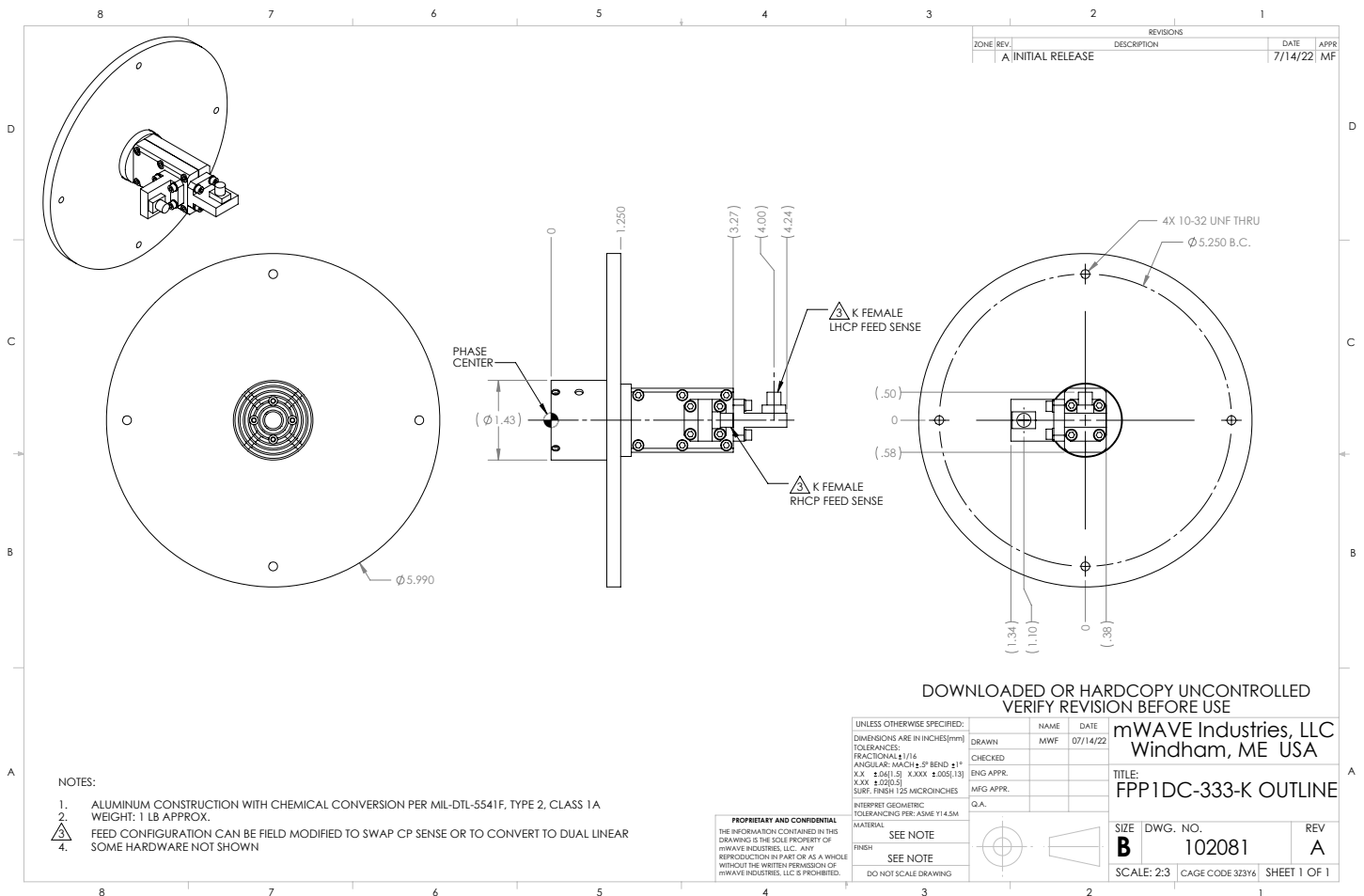


Model

FPP1DC-333-K

26.50 - 40.00 GHz - Ka Band
Dual Circular Prime Focus Feed

Mechanical



Specification Notes:

- Optional waveguide polarizers are available for scalar feed models for CP requirements.
- Dual linear versions of Model FPP1DC-333-K antenna feed are also available.
- Scalar feed models can be optimized for alternate f/d ratio reflectors.
- An additional mounting plate can be added to suit customer specific mounting requirements.
- Alternate coaxial input styles are available upon request.
- Scalar feeds with waveguide inputs are capable of handling higher transmit power.

Notes: (1.) Referenced product specifications are subject to change without notice.
Designed, Engineered, and Manufactured in Windham, ME USA
mWAVE Industries is part of the Alaris Holdings Group of Companies.
© mWAVE Industries LLC - 2022 All rights reserved

Form: FPP1DC-333-K-220714_rev.0-DS

