

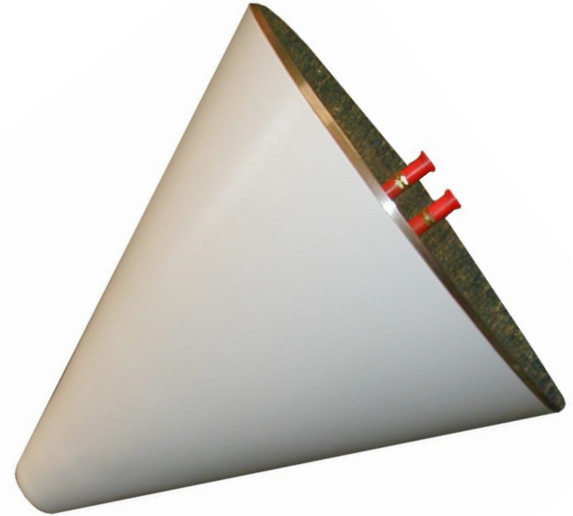
Model

TLP06-33-S

1.435 - 5.150 GHz - L, S, C Band

Dual Linear Log Periodic Antenna Feed

The TLP06-33-S is a dual polarized log periodic feed that operates across the 1.435 – 5.150 GHz – L, S, C telemetry bands. An expanded band version is available to operate at 1.200 – 8.000 GHz – ULF, L, S, C bands. The introduction of this feed allows telemetry system designers to utilize the impending C-band frequency allocation. The feed is sealed within a UV stabilized radome that is suitable for outdoor use. Additional components (i.e. hybrids, filters, switches, etc.) can be added to the feed to satisfy custom requirements including multi-state dual circular and slant 45 polarization diversity schemes.



Configuration

Frequency Band	1.435 - 5.150 GHz		
Type	Dual Polarized Wideband Antenna Feed	(Dual CP models available)	
Feed Input	SMA female		
E-Plane HPBW	67	degrees	Nominal
H-Plane HPBW	109	degrees	Nominal
VSWR	2.5:1		Nominal max.
Port-to-Port Isolation	15	dB	Nominal min.
Power	20W CW power handling (alternate higher power models available)		
Environmental use	Sealed for outdoor use		
Construction	Parts machined from high-strength 6061-T6 aluminum stock		
Finish	Chemical Conversion per MIL-DTL-5541F, Type 2, Class 1A, Clear finish		
Origin	Engineered and Manufactured in Windham, ME USA		

Specification Notes:

1. Dual linear and Dual Circular versions are also available.
2. Alternate coaxial input styles are available upon request.
3. Alternate mounting plate options can be added to suit customer specific requirements.

Notes:

1. Referenced product specifications are subject to change without notice.
Designed, Engineered, and Manufactured in Windham, ME USA
mWAVE Industries is part of the Alaris Holdings Group of Companies.
© mWAVE Industries LLC - 2022 All rights reserved
mWAVE source reference Model TLP06-33-S Dual Linear LSC-band Antenna feed-1400 to 5200 MHz

TLP06-33-S-220713_rev.0-DS

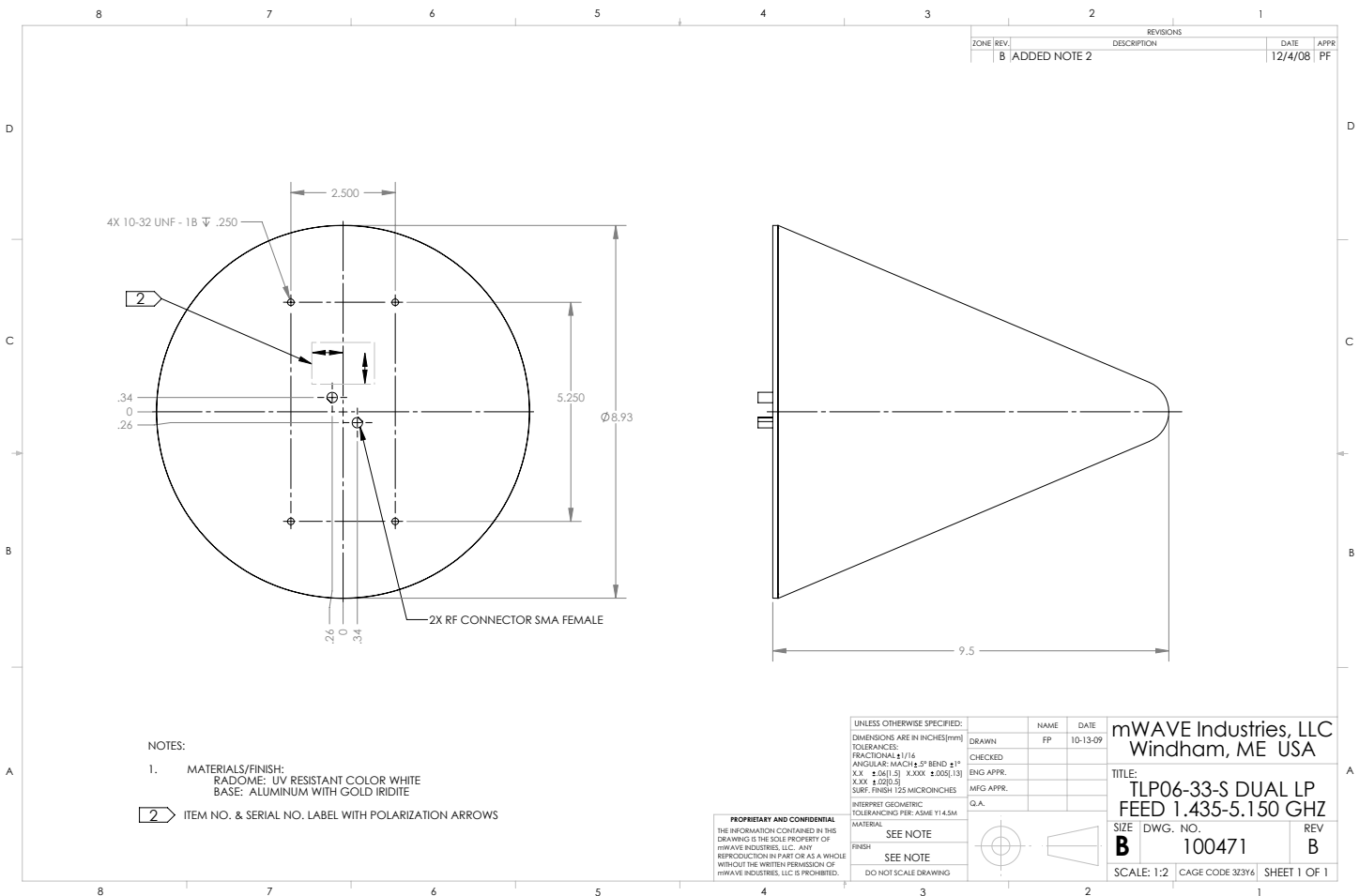


Model

TLP06-33-S

**1.435 - 5.150 GHz - L, S, C Band
Dual Linear Log Periodic Antenna Feed**

Mechanical



Specification Notes:

- Dual linear and Dual Circular versions are also available.
- Alternate coaxial input styles are available upon request.
- Alternate mounting plate options can be added to suit customer specific requirements.

Notes:

- Referenced product specifications are subject to change without notice.
Designed, Engineered, and Manufactured in Windham, ME USA
mWAVE Industries is part of the Alaris Holdings Group of Companies.
© mWAVE Industries LLC - 2022 All rights reserved
mWAVE source reference Model TLP06-33-S Dual Linear LSC-band Antenna feed-1400 to 5200 MHz

TLP06-33-S-220713_rev.0-DS

