

RPD4-19W-N

1.900 - 2.300 GHz - 4-ft. (1.2) Solid Parabolic Antenna, dual polarized, type N input, standard mount, standard crate



Specifications

Type	Solid Parabolic Antenna
Diameter	4-ft. (1.2)
Frequency Band	1.900 - 2.300 GHz
Polarization	Dual
Feed Input	Type N-Female (2)
Construction	Single piece precision spun aluminum
Antenna Color	Gray
Radome Color	Optional - DS4
Radome Material	Optional - UV stabilized ABS
Container	Standard Wood Crate (export crates available)

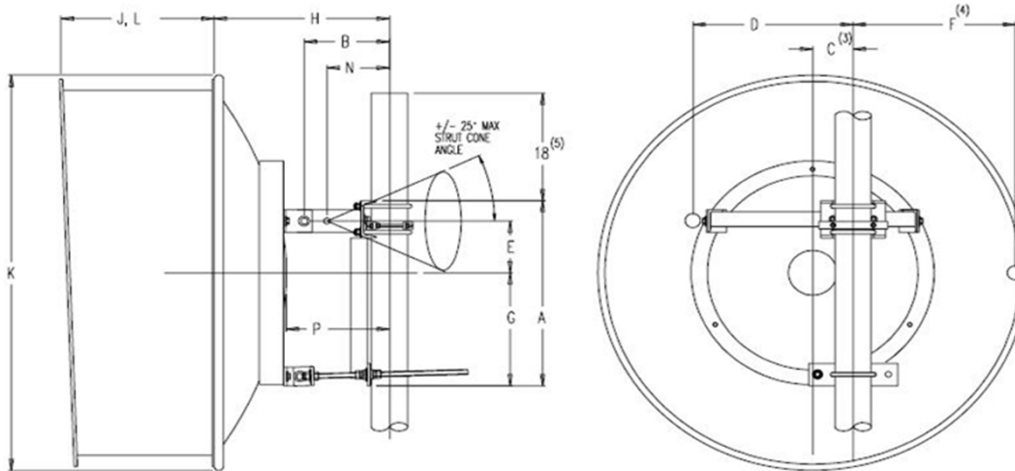
Electrical

Frequency Band	1.900 - 2.300 GHz
Beamwidth, Horizontal	8.1°
Beamwidth, Vertical	8.1°
XPD	30
Electrical Compliance	N/A
Front to Back Ratio (F/B)	33
Gain, Low	25.0
Gain, Mid	25.8
Gain, High	26.6
RPE	
Return Loss (RL)	17.7
VSWR	1.30:1

Mechanical

Fine Azimuth Adjustment	+/- 5°
Elevation Adjustment	+50 /- 5°
Vertical Mast Pipe Dia.	4.5-in. O.D.
Net Weight	100-lbs (45-kg)
Strut Supplied	1
Strut Optional Side	Optional - WB4
Strut Optional Bottom	Optional - WB4
Operational Wind	90-mph (145-kmh)
Survival Wind	125-mph (201-kmh)
Operational Temperature	-40° F to +122° F (-40° C to + 50° C)
Standard	ANSI / TIA - 222

Mechanical Dimensions



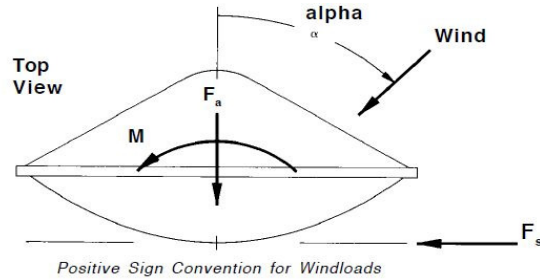
Reference	6-ft (in.)	1.8-m (mm.)	
A	Mount Length	24.3	615
B	Pivot Point	10.5	265
C	Center Line Offset	5.0	125
D	Mount Strut Horz.	20.9	530
E	Mount Strut Pivot Vert.	6.9	175
F	Fixed Side Sturt Horz.	-	-
G	Centerline (above shearstop)	14.6	370
H	Reflector Length	21.6	550
J	Shroud Length (short)	N/A	495
	Shroud Length (long)	N/A	660
K	Antenna Diameter	53.0	1345
L	Radome Length (Standard)	23.0	585
N	Mount Sturt (depth)	7.7	195
P	Reflector Vertex	13.3	340
Q	Mast Diameter	4.5	115
	Struts Supplied (adjustable)	1	
	Struts Supplied (fixed)	optional	
	Azimuth Adjustable Range (fine)	+/-5°	
	Elevation Adjustment Ranges	+50° / -5°	

Product specifications are subject to change without notice.

Windloading

Approximate Wind Forces at 125-mph (200-kmh)

	<u>without radome</u>	<u>with radome</u>
Solid Parabolic		
Angle α for MT Max.	125°	100°
Axial Force (FA)	1050-lbf (4700-N)	540-lbf (2400-N)
Side Force (FS)	209-lbf (1290-N)	330-lbf (1480-N)
Twisting Moment (MT)	400-lbf (540-N)	460-lbf (630-N)



Shipping Dimensions

Gross Weight, packed	175-lbs	79.3-kgs
Length	52	1321
Width	23	584
Height	55	1397
Volume	65780 in3	65780 m3
Cube	163	38.1



Manufacturers of mWAVE, Gabriel and Mark antenna products



mWAVE Industries LLC
 33R Main Street
 Windham, ME 04062 - USA

207.892.0011 t.
 207.892.0044 f.
 info@mwavellc.com e.
 www.mwavellc.com w.

© mWAVE Industries LLC / Gabriel - 2018 All rights reserved



