

Model

RPD3-21-N

1.900 - 2.300 GHz
3-ft. (0.9) Standard Parabolic
Dual Polarized

mWAVE's 1.900 - 2.300 GHz antenna is a 3-ft. (0.9) Solid Parabolic Antenna, dual polarized, type N input and utilizes a fully adjustable mount. Optional radome and wind brace kits available.



Configuration

Type	Standard Parabolic
Frequency Band	1.900 - 2.300 GHz
Diameter	3-ft. (0.9m)
Polarization	Dual (Single Pol. model available)
Feed Input	Type N
Maximum Input Power	50 watts
Survival Rating	125 mph / 201 kmh (with 1 inch (25mm) of ice) ⁽¹⁾
Construction	Single piece solid aluminum reflector and mount
Antenna Color	Production Grey
Container	Corrugated box - Multipack crates available
Origin	Engineered and Manufactured in Windham, ME USA

Electrical

Frequency Band	1.900 - 2.300 GHz
Beamwidth, Horizontal	10.6°
Beamwidth, Vertical	10.6°
XPD (dB)	30
Regulatory	N / A
Front to Back Ratio (F/B) (dB)	33
Gain, Low (dBi)	21.5
Gain, Mid (dBi)	22.4
Gain, High (dBi)	23.2
Return Loss (RL) (dB)	14.0
VSWR	1.50:1

Notes: (1.) Survival and Operational wind ratings are based on a specific models mechanical configuration.
 (2.) Models with higher survival ratings are available.
 (3.) Referenced product specifications are subject to change without notice.
 mWAVE Industries is part of the Alaris Holdings Group of Companies.
 © mWAVE Industries LLC - 2023 All rights reserved

Form: RPD3-21-N_230410_rev.1a-DS

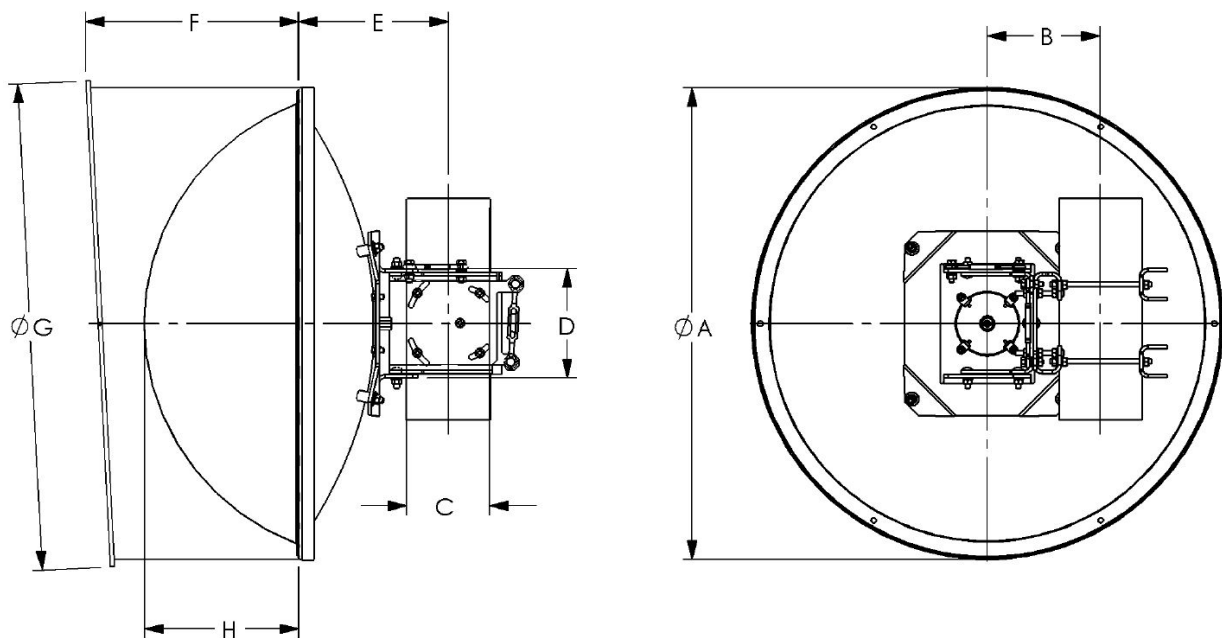


Model

RPD3-21-N

1.900 - 2.300 GHz
3-ft. (0.9) Standard Parabolic
Dual Polarized

Mechanical Features



Dia.	A	B	C-max	C-min	D	E	F	G	H radome
3-ft.	37.5	7.2	4.5	2.38	6.5	10.4	17.3	38.4	12.8
0.9m	952	183	114	60	165	264	439	975	325

Net Weights:

Standard without radome 23.0-lbs (10.4-kgs)
High Performance 33.5-lbs (15.2-kgs)

Temperature Range: -40° to 140°F (-40° to 60°C)

Azimuth Adjustment, fine: ±7°

Elevation Adjustment, fine: ±15°

- Notes:
- (1.) Survival and Operational wind ratings are based on a specific models mechanical configuration.
 - (2.) Models with higher survival ratings are available.
 - (3.) Referenced product specifications are subject to change without notice.
- mWAVE Industries is part of the Alaris Holdings Group of Companies.
© mWAVE Industries LLC - 2023 All rights reserved

