

Model

RPCR3-51-N

Single Right Hand Circular Polarized
4.400 - 5.875 GHz
125 mph / 201 kmh survival

mWAVE's standard parabolic antenna lines are available in wide variety of configurations, ranging from linear and circular polarization in single or dual pol designs. These antennas are designed for fixed, mobile or positioner installations. Designed for demanding RF requirements and environments. Made in the USA .



Configuration

Type	Standard Parabolic Antenna
Survival Rating	125 mph / 201 kmh ⁽¹⁾
Diameter	3-ft. (0.9)
Frequency Band	4.400 - 5.875 GHz
Polarization	RHCP
Feed Input	Type N Female, 50 Ohm impedance
Construction	Single piece spun aluminum parabolic reflector
Struts	Optional
Antenna Color	mWAVE Production Gray
Radome Material (optional)	ABS UV stabilized radome
Radome Color	White - no logo (other colors available.)
Radome Protection	n / a
Container	Corrugated box
Origin	Engineered and Manufactured in Windham, ME USA

Electrical

Frequency Band	4.400 - 5.875 GHz
Beamwidth, Horizontal	4.5°
Beamwidth, Vertical	4.5°
XPD (On Axis)	30 dB
Port to Port Isolation	15 dB
Front to Back Ratio (F/B)	35 dB
Gain, Low	-
Gain, Mid	27.3 dBi
Gain, High	-
Return Loss (RL)	15.0 dB
VSWR	1.4:1

- Notes:
- (1.) Survival and Operational wind ratings are based on a specific models mechanical configuration.
 - (2.) Models with increased survival ratings are available.
 - (3.) Referenced product specifications are subject to change without notice.
Designed, Engineered, and Manufactured in Windham, ME USA
mWAVE Industries is part of the Alaris Holdings Group of Companies.
© mWAVE Industries LLC - 2022 All rights reserved

Form: RPCR3-54-N-220110_rev.0-DS



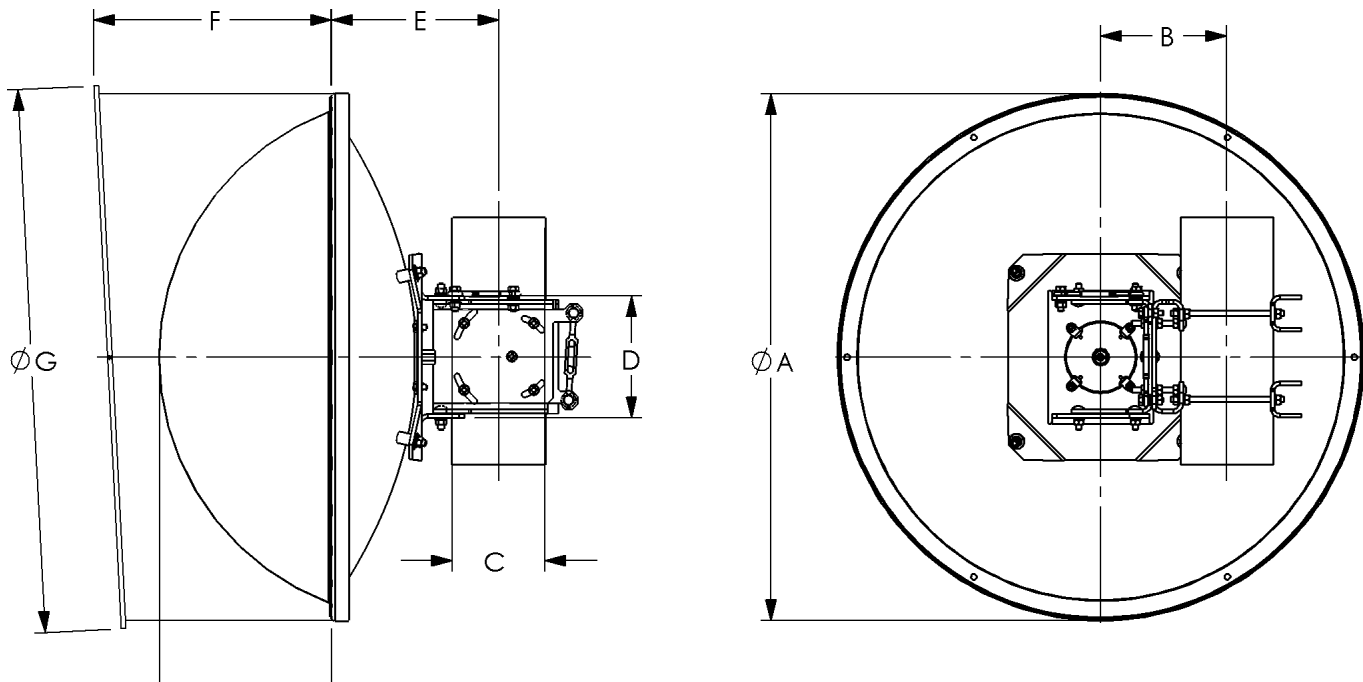
Model

RPCR3-51-N

Single Right Hand Circular Polarized
4.400 - 5.875 GHz
125 mph / 201 kmh survival

Mechanical Features

Fine Azimuth Adjustment	+/- 7°
Elevation Adjustment	+/- 15°
Vertical Mast Pipe Dia.	2.4 - 4.5-in. O.D. (60-114mm)
Net Weight	32-lbs (14.5-kg) approx
Strut Adjustable	Optional
Operational Wind	90-mph (145-kmh)
Survival Wind	125-mph (201-kmh)
Operational Temperature	-40° F to +140° F (-40° C to + 60° C)
Standard	ANSI / TIA - 222



A	B	C	C	D	E	F	G	H
37.5	7.2	4.5	2.38	6.5	10.4	17.3	38.4	12.8

- Notes:
- (1.) Survival and Operational wind ratings are based on a specific models mechanical configuration.
 - (2.) Models with increased survival ratings are available.
 - (3.) Referenced product specifications are subject to change without notice.
- Designed, Engineered, and Manufactured in Windham, ME USA
mWAVE Industries is part of the Alaris Holdings Group of Companies.
© mWAVE Industries LLC - 2022 All rights reserved

Form: RPCR3-54-N-220110_rev.0-DS

