

Model

RP2-21N-N

1.900 - 2.300 GHz
2-ft. (0.6) Standard Parabolic
Single Polarized

mWAVE's Standard Solid Parabolic antennas are designed for years of trouble free operation. They are engineered to deliver both superior RF electrical and mechanical performance.



Configuration

Type	Standard Parabolic
Frequency Band	1.900 - 2.300 GHz
Diameter	2-ft. (0.6m)
Polarization	Single (Dual Pol model available)
Feed Input	Type N
Maximum Input Power	10 watts
Survival Rating	125 mph / 201 kmh (with 1 inch (25mm) of ice) ⁽¹⁾
Construction	Single piece solid aluminum reflector and mount
Antenna Color	Production Grey
Container	Corrugated box - Multipack crates available
Origin	Engineered and Manufactured in Windham, ME USA

Electrical

Frequency Band	1.900 - 2.300 GHz
Beamwidth, Horizontal	19.0°
Beamwidth, Vertical	19.0°
XPD (dB)	30
Regulatory	N / A
Front to Back Ratio (F/B) (dB)	30
Gain, Low (dBi)	19.2
Gain, Mid (dBi)	20.0
Gain, High (dBi)	20.8
Return Loss (RL) (dB)	14.0
VSWR	1.50:1

Notes: (1.) Survival and Operational wind ratings are based on a specific models mechanical configuration.
 (2.) Models with higher survival ratings are available.
 (3.) Referenced product specifications are subject to change without notice.
 mWAVE Industries is part of the Alaris Holdings Group of Companies.
 © mWAVE Industries LLC - 2022 All rights reserved

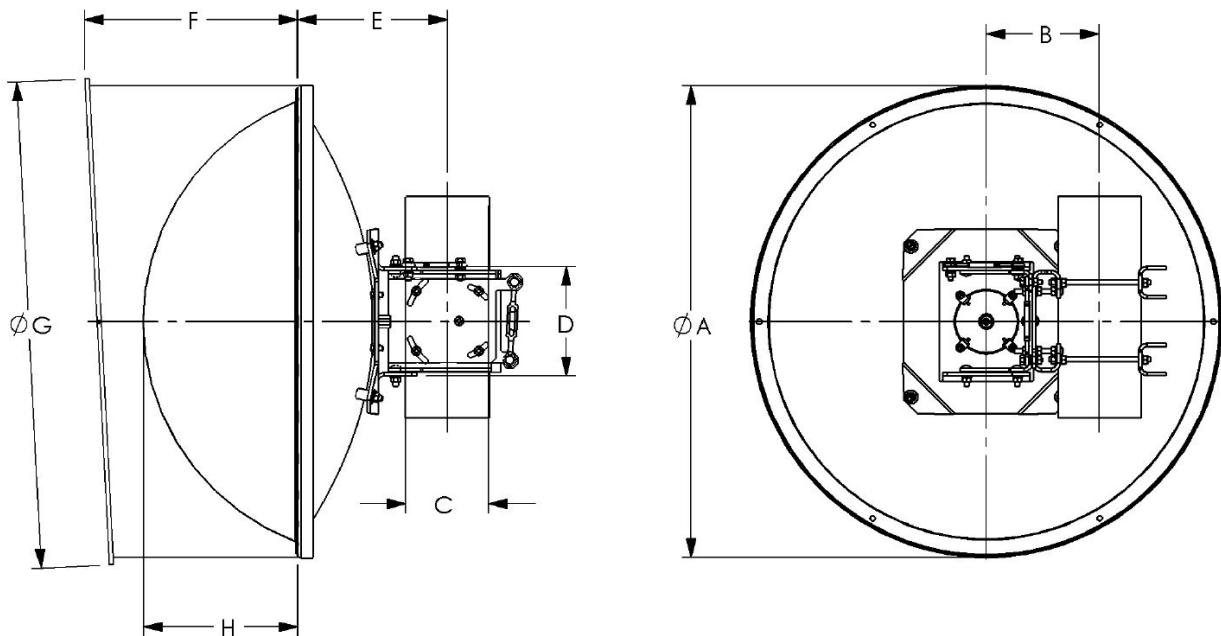


Model

RP2-21N-N

1.900 - 2.300 GHz
2-ft. (0.6) Standard Parabolic
Single Polarized

Mechanical Features



Dia.	A	B	C-max	C-min	D	E	F	G	H radome	H1 RPD2
2-ft.	25.6	6.1	4.5	1.9	5.9	8.1	11.5	26.4	8.4	10.8
0.6m	650.2	154.9	114.3	48.2	149.8	205.7	292.1	670.5	213.3	274.3

Temperature Range: -40° to 140°F (-40° to 60°C)

Azimuth Adjustment, fine: ±7°

Elevation Adjustment, fine: ±15°

- Notes:
- (1.) Survival and Operational wind ratings are based on a specific models mechanical configuration.
 - (2.) Models with higher survival ratings are available.
 - (3.) Referenced product specifications are subject to change without notice.
- Designed, Engineered, and Manufactured in Windham, ME USA
mWAVE Industries is part of the Alaris Holdings Group of Companies.
© mWAVE Industries LLC - 2022 All rights reserved

Form: RP2-21N-N_221006_rev.0-DS

