

### Model

#### RFF6-875-N

875 - 960 MHz

6-ft. / 1.8m Standard Parabolic

Single Polarized

mWAVE's Standard Parabolic antennas are designed for years of trouble free operation. They are engineered to deliver both superior RF electrical and mechanical performance and have done so worldwide for decades. If your sites environmental conditions are more severe than the norm, the mWAVE Gabriel Severe Environment antenna lines will elevate your sites operational and survival rates.



### Configuration

Type	Standard (Solid) Parabolic Antenna
Survival Rating	125 mph / 201 kmh (with 1 inch (25mm) of ice) <sup>(1)</sup>
Diameter	6-ft. (1.8m)
Frequency Band	875 - 960 MHz
Polarization	Single
Feed Input	Type N
Construction	Single piece spun aluminum parabolic reflector
Struts	Optional
Antenna Color	Production gray
Radome Material	Optional Radome: UV stabilized fiberglass
Radome Color	Optional Radome: Gray - no logo (other colors available.)
Radome Protection	n / a
Container	Standard wood crate (export crates available)
Origin	Engineered and Manufactured in Windham, ME USA

### Electrical

Frequency Band	875 - 960 MHz
Beamwidth, Horizontal	12.7°
Beamwidth, Vertical	12.7°
XPD (dB)	24
Regulatory	U.S. FCC Part 101.115 & CDN IC-SRSP-507
Front to Back Ratio (F/B) (dB)	26
Gain, Low (dBi)	21.7
Gain, Mid (dBi)	22.1
Gain, High (dBi)	22.5
Return Loss (RL) (dB)	17.7
VSWR	1.3:1

- Notes:
- (1.) Survival and Operational wind ratings are based on a specific models mechanical configuration.
  - (2.) Models with higher survival ratings are available.
  - (3.) Referenced product specifications are subject to change without notice.
- mWAVE Industries is part of the Alaris Holdings Group of Companies.  
 © mWAVE Industries LLC - 2022 All rights reserved

Form: RFF6-875-N\_221121\_rev.1-DS.



**Model**

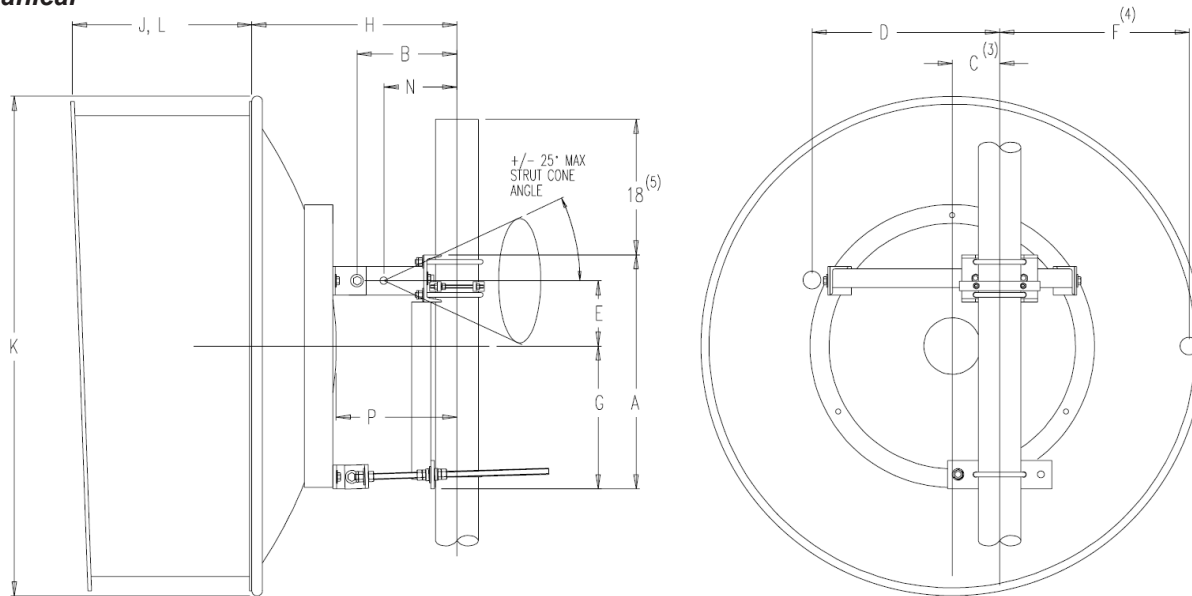
**RFF6-875-N**

875 - 960 MHz

6-ft. / 1.8m Standard Parabolic

Single Polarized

**Mechanical**



**Mechanical Reference**

**6-ft**

**1.8m**

		(in)	(mm)
A	Mount Length	24.3	615
B	Pivot Point	10.5	265
C	Center Line Offset	5.0	125
G	Antenna Centerline	14.6	370
H	Reflector Length	19.5	750
J	HP Shroud Length (short)	25.7	655
K	Antenna Diameter	77.5	1970
L	Radome Length (Standard)	29.0	735
P	Reflector Vertex	13.7	350
	Mast Diameter	4.5	115
	Fixed & Adjustable Struts Supplied	1 - adjustable (Fixed Optional)	
	Azimuth Adjustable Range (fine)	+/- 5°	
	Elevation Adjustment Ranges	+50° /-5° (Invert mount for +5° / -50°)	
	Weight (Standard)	200-lbs	90-kg
	Weight (High Performance)	315-lbs	145-kg

- Notes: (1.) Survival and Operational wind ratings are based on a specific models mechanical configuration.  
 (2.) Models with higher survival ratings are available.  
 (3.) Referenced product specifications are subject to change without notice.  
 mWAVE Industries is part of the Alaris Holdings Group of Companies.  
 © mWAVE Industries LLC - 2022 All rights reserved

Form: RFF6-875-N\_221121\_rev.1-DS



**Model**

**RFF6-875-N**

875 - 960 MHz  
 6-ft. / 1.8m Standard Parabolic  
 Single Polarized

**Mechanical Features**

Azimuth Adjustable Range (fine)	+/- 5°	
Elevation Adjustment Ranges	+50° / -5° (Invert mount for +5° / -50°)	
Vertical Mast Pipe O.D.	4.5-in	(115-mm)
Weight (Standard)	200-lbs	90-kg
Weight (High Performance)	315-lbs	145-kg
Strut Adjustable	Optional	
Strut Side	Optional	
Strut Bottom	Optional	
Operational Wind <sup>1</sup>	112-mph	(180-kmh)
Survival Wind <sup>1</sup>	125-mph	(201-kmh) (with 1 inch (25mm) of ice) <sup>1</sup>
Operational Temperature Standard	-40° F to +122° F	(-40° C to + 50° C)
	ANSI / TIA - 222	

**Shipping**

Type	Diameter		Pack Type	Net Weight		Gross Weight		Dimensions L x W x H		Volume	
	ft.	m		lbs	kg	lb	kg	inches	mm	cu. ft	cu. m
<b>Standard</b>	6	1.8	Wood	200	90	325	145	81 x 24 x 83	2060 x 2110 x 610	93	2.7
<b>High Performance</b>	6	1.8	Wood	315	145	520	233	81 x 43 x 83	2060 x 1090 x 2110	167	4.7

Notes: (1.) Survival and Operational wind ratings are based on a specific models mechanical configuration.  
 (2.) Models with higher survival ratings are available.  
 (3.) Referenced product specifications are subject to change without notice.  
 Designed, Engineered, and Manufactured in Windham, ME USA  
 mWAVE Industries is part of the Alaris Holdings Group of Companies.  
 © mWAVE Industries LLC - 2022 All rights reserved

