

Model

RFF4-875-N

875 - 960 MHz

4-ft. / 1.2m Standard Parabolic

Single Polarized

mWAVE's Standard Parabolic antennas are designed for years of trouble free operation. They are engineered to deliver both superior RF electrical and mechanical performance and have done so worldwide for decades. If your sites environmental conditions are more severe than the norm, the mWAVE Gabriel Severe Environment antenna lines will elevate your sites operational and survival rates.



Configuration

Type	Standard (Solid) Parabolic Antenna
Survival Rating	125 mph / 201 kmh (with 1 inch (25mm) of ice) ⁽¹⁾
Diameter	4-ft. (1.2m)
Frequency Band	875 - 960 MHz
Polarization	Single
Feed Input	Type N
Construction	Single piece spun aluminum parabolic reflector
Struts	Optional
Antenna Color	Production gray
Radome Material	Optional Radome: UV stabilized fiberglass
Radome Color	Optional Radome: Gray - no logo (other colors available.)
Radome Protection	n / a
Container	Standard wood crate (export crates available)
Origin	Engineered and Manufactured in Windham, ME USA

Electrical

Frequency Band	875 - 960 MHz
Beamwidth, Horizontal	17.7°
Beamwidth, Vertical	17.7°
XPD (dB)	24
Regulatory	U.S. FCC Part 101.115 & CDN IC-SRSP-507
Front to Back Ratio (F/B) (dB)	23
Gain, Low (dBi)	18.8
Gain, Mid (dBi)	19.2
Gain, High (dBi)	19.6
Return Loss (RL) (dB)	17.7
VSWR	1.30:1

- Notes:
- (1.) Survival and Operational wind ratings are based on a specific models mechanical configuration.
 - (2.) Models with higher survival ratings are available.
 - (3.) Referenced product specifications are subject to change without notice.
- mWAVE Industries is part of the Alaris Holdings Group of Companies.
 © mWAVE Industries LLC - 2022 All rights reserved

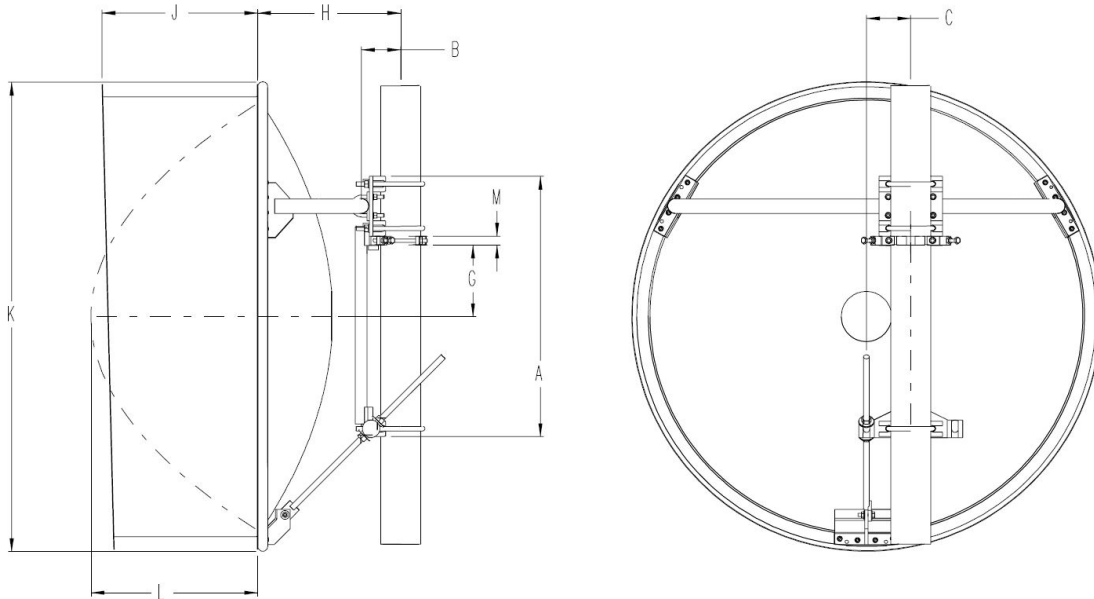


Model

RFF4-875-N

875 - 960 MHz
 4-ft. / 1.2m Standard Parabolic
 Single Polarized

Mechanical



Mechanical Reference

4-ft

1.2m

		(in)	(mm)
A	Mount Length	29.4	745
B	Pivot Point	4.4	110
C	Center Line Offset	5.0	125
G	Antenna Centerline	8.1	205
H	Reflector Length	16.1	410
J	HP Shroud Length (short)	18.6	470
K	Antenna Diameter	53.0	1345
L	Radome Length (Standard)	18.8	480
M	Shearstop Collar	1.0	25
P	Reflector Vertex	13.3	340
	Mast Diameter	4.5	115
		2.38 in. - 4 in. OD (60 mm – 102 mm) mast-mount available	
	Fixed & Adjustable Struts Supplied	Optional	
	Azimuth Adjustable Range (fine)	+/- 5°	
	Elevation Adjustment Ranges	-5° /+20° (Invert mount for +5° / -20°)	
	Weight (Standard)	100-lbs	45-kg
	Weight (High Performance)	160-lbs	75-kg

- Notes: (1.) Survival and Operational wind ratings are based on a specific models mechanical configuration.
 (2.) Models with higher survival ratings are available.
 (3.) Referenced product specifications are subject to change without notice.
 mWAVE Industries is part of the Alaris Holdings Group of Companies.
 © mWAVE Industries LLC - 2022 All rights reserved



Model

RFF4-875-N

875 - 960 MHz
 4-ft. / 1.2m Standard Parabolic
 Single Polarized

Mechanical Features

Azimuth Adjustable Range (fine)	+/- 5°	
Elevation Adjustment Ranges	-5° /+20° (Invert mount for +5° / -20°)	
Vertical Mast Pipe O.D.	4.5-in	(115-mm)
	Optional 2.38 in. - 4 in. OD (60 mm – 102 mm) mast-mount available for 4 ft (1.2 m) antenna.	
Weight (Standard)	100-lbs	45-kg
Weight (High Performance)	160-lbs	75-kg
Strut Adjustable	Optional	
Strut Side	Optional	
Strut Bottom	Optional	
Operational Wind	112-mph	(180-kmh)
Survival Wind	125-mph	(201-kmh) (with 1 inch (25mm) of ice) ⁽¹⁾
Operational Temperature	-40° F to +122° F	(-40° C to + 50° C)
Standard	ANSI / TIA - 222	

Shipping

Type	Diameter		Pack Type	Net Weight		Gross Weight		Dimensions L x W x H		Volume	
	ft.	m		lbs	kg	lb	kg	inches	mm	cu. ft	cu. m
Standard											
	4	1.2	Wood	100	45	180	80	57 x 20 x 61	1450 x 500 x 1540	39	1.1
High Performance											
	4	1.2	Wood	160	75	275	125	57 x 28 x 61	1450 x 700 x 1540	55	1.6

Notes: (1.) Survival and Operational wind ratings are based on a specific models mechanical configuration.
 (2.) Models with higher survival ratings are available.
 (3.) Referenced product specifications are subject to change without notice.
 Designed, Engineered, and Manufactured in Windham, ME USA
 mWAVE Industries is part of the Alaris Holdings Group of Companies.
 © mWAVE Industries LLC - 2022 All rights reserved

