

**Model**

**RCCD4-80-112F**

4-ft. (1.2m) Dual CP Tx/Rx X-band Cassegrain Antenna

**Features**

- Transmit / Receive X-band
- Dual Circular Polarized
- 4-ft. (1.2m) Diameter
- Capability to allow for manually changing transmit and receive senses of polarization.
- Each port of the OMT can operate in both the transmit and receive bands making this antenna an option to be modified as a 4-port antenna by adding a pair of diplexers to the antenna.



**Specifications**

**LHCP System Port**

Frequency (GHz)	Gain (dBic)	Axial Ratio (dB)	HPBW (deg.)	SLL beyond (dB)	F/B (dB)	Return Loss (dB)
7.25	35.7	0.3	2.3	14.9	>50	16.5
7.50	36.4	0.2	2.16	14.8	>50	15.0
7.75	36.7	0.05	2.1	15.1	>50	20.9
7.90	36.9	0.2	2.1	14.75	>50	17.7
8.15	37.1	0.5	2.0	15.5	>50	23.0
8.40	37.1	0.1	1.86	15.0	>50	31.6

**RHCP System Port**

Frequency (GHz)	Gain (dBic)	Axial Ratio (dB)	HPBW (deg.)	SLL beyond (dB)	F/B (dB)	Return Loss (dB)
7.25	35.7	0.3	2.2	14.3	>50	15.9
7.50	36.4	0.2	2.16	14.4	>50	16.8
7.75	36.7	0.05	2.13	15.2	>50	19.0
7.90	36.9	0.2	2.2	15.0	>50	27.0
8.15	37.1	0.5	2.1	15.2	>50	20.0
8.40	37.1	0.1	2.0	15.2	>50	21.1

Performance values presented herein are for reference only. Actual performance may vary.

**Notes:**

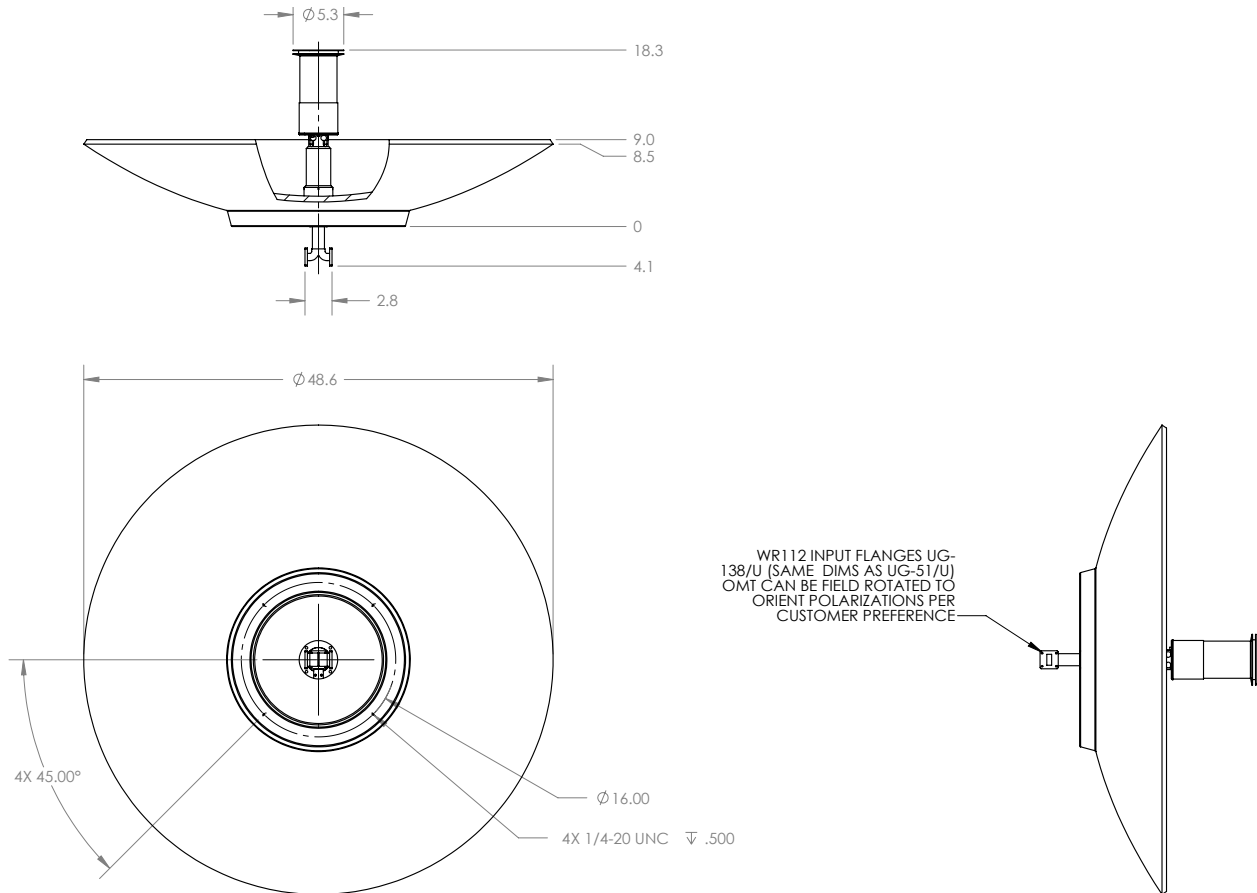
- (1.) Referenced product specifications are subject to change without notice.
- (2.) Designed, Engineered, and Manufactured in Windham, ME USA
- (3.) mWAVE Industries is part of the Alaris Holdings Group of Companies.
- (4.) © mWAVE Industries LLC - 2022 All rights reserved.

mWAVE source reference RCCD4-80-112F X-band Tx-Rx 4' dual CP antenna Final

Form: RCCD4-80-112F-P08029\_220331\_rev.0-DS



**Mechanical RCCD4-80-112F**



**NOTES:**

1. COLOR: WHITE, COLOR NO. 17875 PER FED-STD-595
2. WEIGHT: 22 LBS

**Notes:**

- (1.) Referenced product specifications are subject to change without notice.
- (2.) Designed, Engineered, and Manufactured in Windham, ME USA
- (3.) mWAVE Industries is part of the Alaris Holdings Group of Companies.
- (4.) © mWAVE Industries LLC - 2022 All rights reserved.

mWAVE source reference RCCD4-80-112F X-band Tx-Rx 4' dual CP antenna Final

Form: RCCD4-80-112F-P08029\_220331\_rev.0-DS

