

Model

HRP3-800

71.0 - 86.0 GHz
 High Performance Antenna
 Single Polarized

mWAVE's HRP3-800 Millimeter-wave High Performance antennas are state of the art designs that feature superior electrical and innovative mechanical features delivering many years of uninterrupted operation. Unless otherwise noted these models have a survival rating is 125 mph (201 kmh) wind with 1 inch (25mm) of ice.



Configuration

| | |
|-------------------|---|
| Type | High Performance Antenna |
| Frequency Band | 71.0 - 86.0 GHz |
| Diameter | 3-ft. (0.9m) |
| Polarization | Linear Pol, Dual Pol option available |
| Feed Input | Integrated direct waveguide slip fit connection (Custom versions available) |
| Construction | Precision spun single piece aluminum parabolic reflector |
| Strut | 1 - Fixed strut |
| Antenna Color | Production white |
| Radome Material | UV Stabilized ABS Composite |
| Radome Color | White |
| Radome Protection | UV Stabilized |
| Container | Corrugated box |
| Origin | Engineered and Manufactured in Windham, ME USA |

Electrical

| | |
|--------------------------------|---|
| Frequency Band | 71.0 - 86.0 GHz |
| Beamwidth, Horizontal | 0.3° |
| Beamwidth, Vertical | 0.3° |
| XPD (dB) | >35 |
| Electrical Compliance | FCC Part 101.115 (80 GHz) / ETSI EN 302 217-4-2v1.5.1 Class 3 |
| Front to Back Ratio (F/B) (dB) | >74 |
| Gain, Low (dBi) | 53.0 |
| Gain, Mid (dBi) | 54.0 |
| Gain, High (dBi) | 54.3 |
| Return Loss (RL) (dB) | 15.6 |
| VSWR | 1.4:1 |

Notes: (1.) Survival and Operational wind ratings are based on a specific models mechanical configuration.
 (2.) Models with higher survival ratings are available.
 (3.) Referenced product specifications are subject to change without notice.
 mWAVE Industries is part of the Alaris Holdings Group of Companies.
 © mWAVE Industries LLC - 2022 All rights reserved
 Source file ds800hplhv-160825

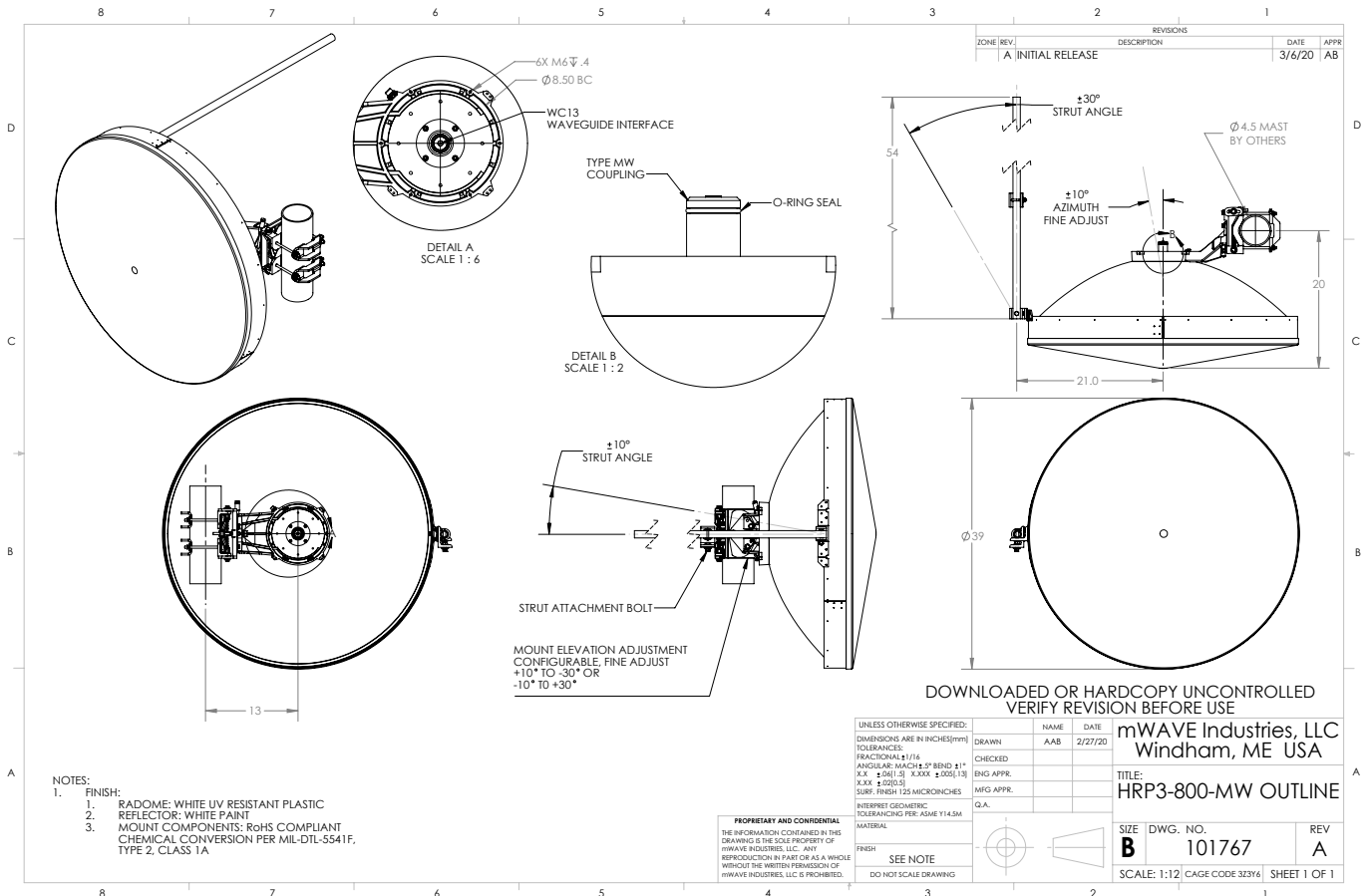
Form: HRP3-800-220826_rev.0-DS



Mechanical Features

| | |
|-------------------------|---|
| Antenna Assembly | Pre-assembled, ready to install |
| Mount Assembly | Compact, rugged aluminum mount design using corrosion resistant materials, stainless steel hardware |
| Adjustments | Superior fine azimuth and elevation adjustment |
| Vertical Mast Pipe O.D. | 2.375 – 4.5-in. (60 – 114 mm) |
| Net Weight | 36 lbs (16.32 kg) |
| Operational Wind | 70 mph / 112 kmh with 1-in. (25.4mm) of radial ice ⁽¹⁾ |
| Survival Wind | 125 mph / 201 kmh with 1-in. (25.4mm) of radial ice ⁽¹⁾ |
| Standard | ANSI / TIA - 222 |
| Optional Item | Sight alignment tool SAA-1 |

Dimensional Configuration



Notes: (1.) Survival and Operational wind ratings are based on a specific models mechanical configuration.
 (2.) Models with higher survival ratings are available.
 (3.) Referenced product specifications are subject to change without notice.
 Designed, Engineered, and Manufactured in Windham, ME USA
 mWAVE Industries is part of the Alaris Holdings Group of Companies.
 © mWAVE Industries LLC - 2022 All rights reserved.

Form: HRP3-800-220826_rev.0-DS

