

Model

HE4-107

High Performance Antenna
10.70 - 11.70 GHz

mWAVE's Gabriel High Performance antennas are designed for year trouble free operation. These models are engineered to deliver both superior electrical and mechanical performance and have done so worldwide for decades. If your sites environmental conditions are more severe than the norm, the mWAVE Gabriel Severe Environment antenna lines will elevated your sites operational and survival rates.



Configuration

Type	High Performance Antenna
Survival Rating	125 mph / 201 kmh ⁽¹⁾
Diameter	4-ft. (1.2)
Frequency Band	10.70 - 11.70 GHz
Polarization	Single
Feed Input	CPR90G
Construction	Single piece spun aluminum parabolic reflector with aluminum shroud
Struts	Optional
Antenna Color	Production Gray
Radome Material	Composite UV stabilized radome
Radome Color	White - no logo
Radome Protection	n / a
Container	Standard Wood Crate (export crates available)
Origin	Engineered and Manufactured in Windham, ME USA

Electrical

Frequency Band	10.70 - 11.70 GHz
Beamwidth, Horizontal	1.6°
Beamwidth, Vertical	1.6°
XPD (On Axis)	30 dB
Electrical Compliance	CFR 47 - U.S.F.C.C. Part 101.115 / Cat. A
Front to Back Ratio (F/B)	62 dB
Gain, Low	39.9 dBi
Gain, Mid	40.3 dBi
Gain, High	40.6 dBi
Return Loss (RL)	23.1 dB
VSWR	1.15:1

- Notes:
- (1.) Survival and Operational wind ratings are based on a specific models mechanical configuration.
 - (2.) Models with higher survival ratings are available.
 - (3.) Referenced product specifications are subject to change without notice.
- Designed, Engineered, and Manufactured in Windham, ME USA
 mWAVE Industries is part of the Alaris Holdings Group of Companies.
 © mWAVE Industries LLC - 2022 All rights reserved

Form: HE4-107-P-220628_rev.0-DS



Model**HE4-107**

High Performance Antenna

10.70 - 11.70 GHz

Mechanical Features

Fine Azimuth Adjustment	+/- 5°
Elevation Adjustment	+50 /- 5°
Vertical Mast Pipe Dia.	4.5-in. O.D.
Net Weight	160-lbs (75-kg)
Strut Adjustable	Optional
Strut Side	Optional
Strut Bottom	Optional
Operational Wind	112-mph (180-kmh)
Survival Wind	150-mph (241-kmh)
Operational Temperature	-40° F to +122° F (-40° C to + 50° C)
Standard	ANSI / TIA - 222

- Notes:
- (1.) Survival and Operational wind ratings are based on a specific models mechanical configuration.
 - (2.) Models with higher survival ratings are available.
 - (3.) Referenced product specifications are subject to change without notice.
Designed, Engineered, and Manufactured in Windham, ME USA
mWAVE Industries is part of the Alaris Holdings Group of Companies.
- © mWAVE Industries LLC - 2022 All rights reserved



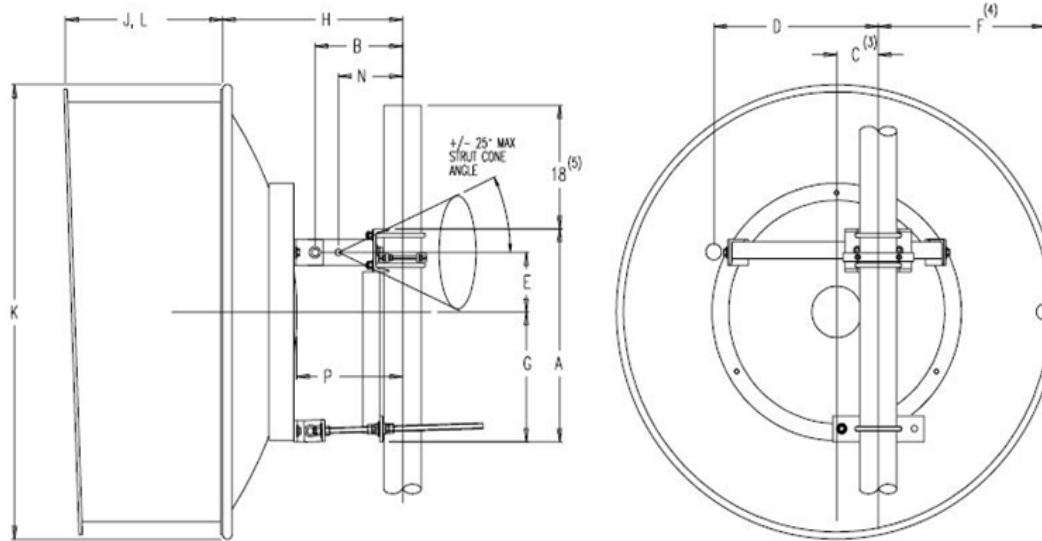
Model

HE4-107

High Performance Antenna

10.70 - 11.70 GHz

Mechanical



Mechanical Reference		4-ft	1.2m
A	Mount Length	24.3	615
B	Pivot Point	10.5	265
C	Center Line Offset	5.0	125
D	Mount Strut Horz.	20.9	530
E	Mount Strut Pivot Vert.	6.9	175
F	Fixed Side Sturt Horz.	--	--
G	Centerline (above shearstop)	14.6	370
H	Reflector Length	21.6	550
J	Shroud Length (short)(hp only)	19.5	495
	Shroud Length (long)(hp only)	25.9	660
K	Antenna Diameter	53.0	1345
L	Radome Length (Standard)	23.0	585
N	Mount Sturt (depth)	7.7	195
P	Reflector Vertex	13.3	340
Q	Mast Diameter	4.5	115
	Azimuth Adjustable Range (fine)		+5°
	Elevation Adjustment Ranges		+50° / -5°

- Notes:
- (1.) Survival and Operational wind ratings are based on a specific models mechanical configuration.
 - (2.) Models with higher survival ratings are available.
 - (3.) Referenced product specifications are subject to change without notice.
- Designed, Engineered, and Manufactured in Windham, ME USA
 mWAVE Industries is part of the Alaris Holdings Group of Companies.
 © mWAVE Industries LLC - 2022 All rights reserved

Form: HE4-107-P-220628_rev.0-DS

