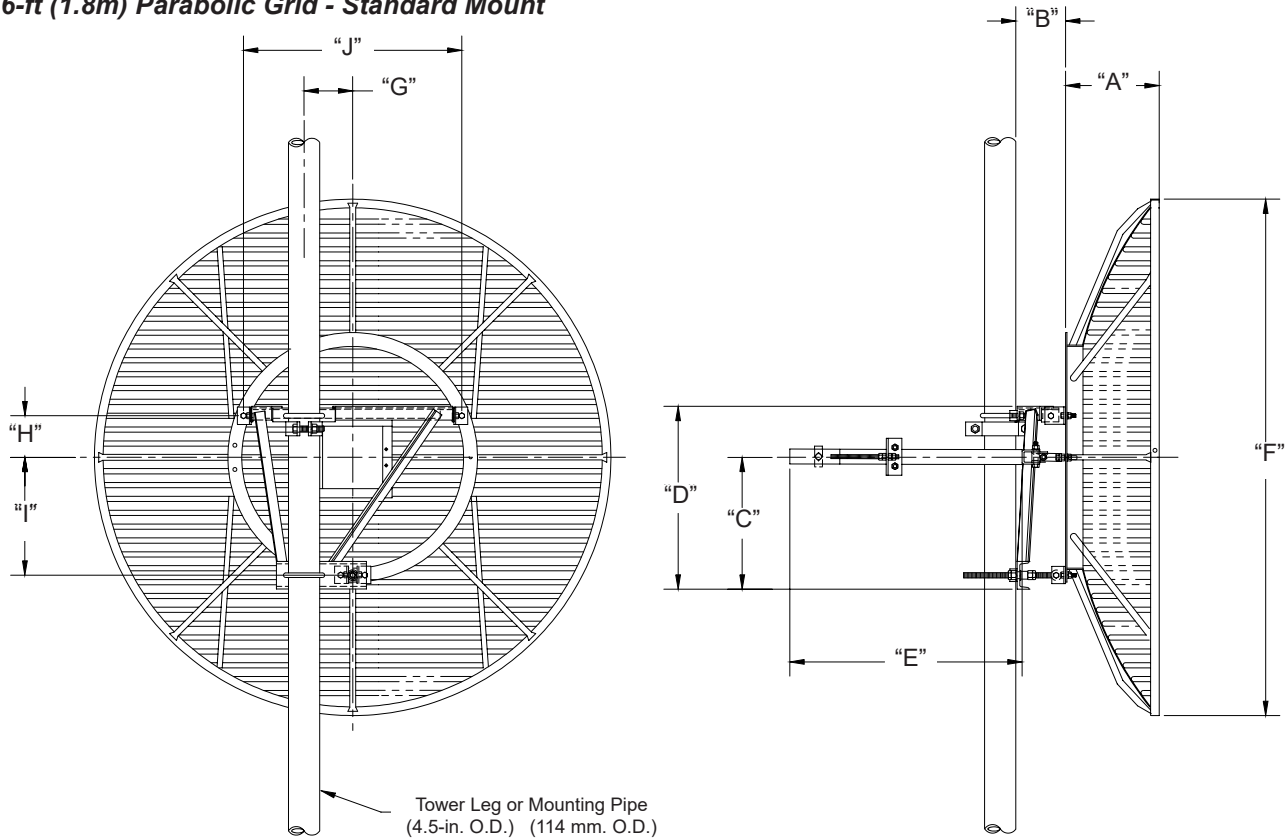


6-ft (1.8m) Parabolic Grid - Standard Mount



Dimensions

Diameter ft. (cm)		"A" in. (cm)		"B" in. (cm)		"C" in. (cm)		"D" in. (cm)		"E" in. (cm)		"F" in. (cm)		"G" in. (cm)		"H" in. (cm)		"I" in. (cm)		"J" in. (cm)	
6	183	13 ½	34	7 ¾	18	19	48	26 ¾	67	60	152	74 ½	188	7	18	6	15	17	43	31 ½	80

Mechanical Features

Antenna Assembly	Standard Mount (S)
Mount Assembly	Galvanized A36 structural steel mount
Adjustments	Superior azimuth and elevation adjustment
Vertical Mast Pipe O.D.	4.5-in. (114 mm)
Net Weight (no ice*)	Low Freq, 112 lbs (51 kgs) High Freq, 128 lbs (58 kgs)
Net Weight (with ice*)	Low Freq, 154 lbs (70 kgs) High Freq, 277 lbs (125 kgs)
Operational Wind	70 mph / 112 kmh with 1-in. (25.4mm) of radial ice ⁽¹⁾
Survival Wind	125 mph / 201 kmh with 1-in. (25.4mm) of radial ice ⁽¹⁾
Standard	ANSI / TIA - 222

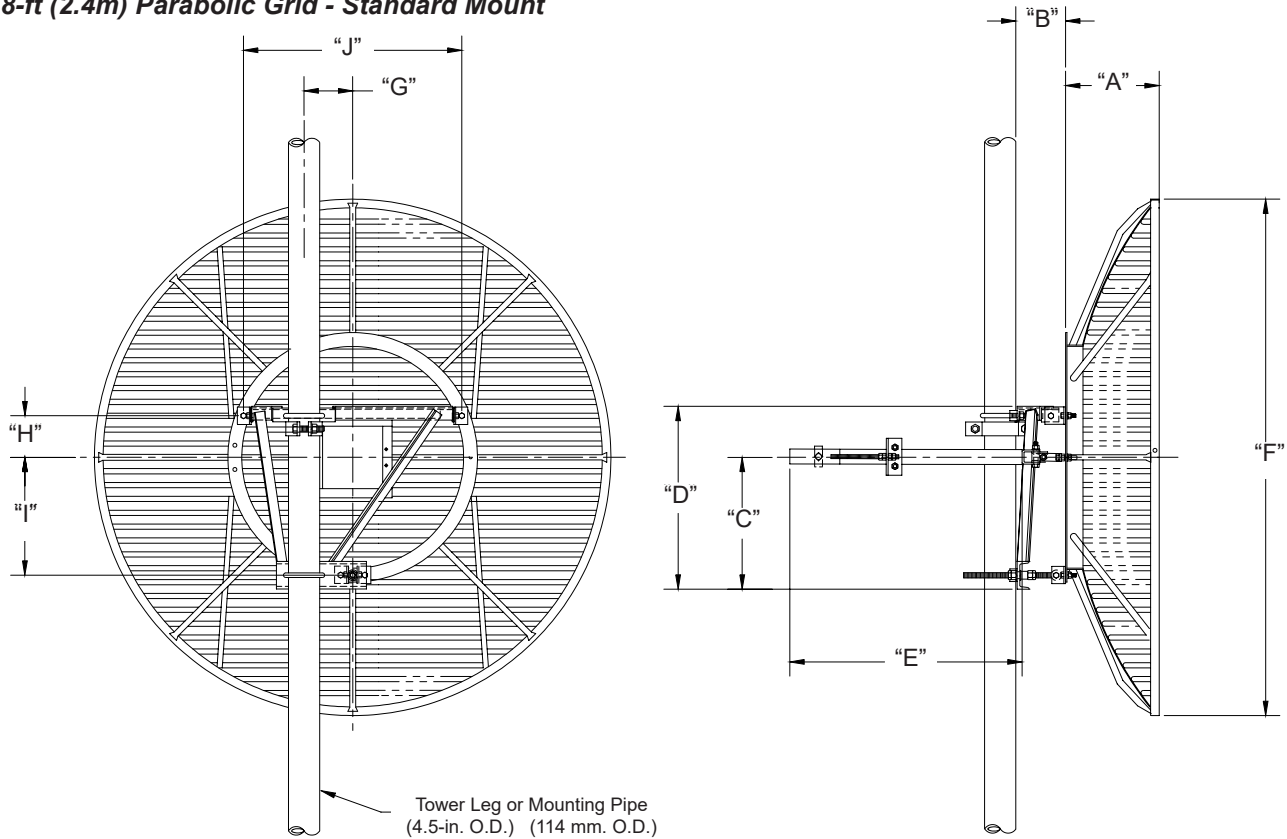
- Notes: (1.) Survival and Operational wind ratings are based on a specific models mechanical configuration.
 (2.) Models with higher survival ratings are available.
 (3.) Referenced product specifications are subject to change without notice.

Designed, Engineered, and Manufactured in Windham, ME USA
 mWAVE Industries is part of the Alaris Holdings Group of Companies.
 © mWAVE Industries LLC - 2023 All rights reserved.

Form: Grid Mechanical Specifications_6 FT 1.8M_Standard_230203_rev.0-DS



8-ft (2.4m) Parabolic Grid - Standard Mount



Dimensions

Diameter ft. (cm)	"A" in. (cm)		"B" in. (cm)		"C" in. (cm)			"D" in. (cm)		"E" in. (cm)		"F" in. (cm)		"G" in. (cm)		"H" in. (cm)		"I" in. (cm)		"J" in. (cm)	
8	244	18	46	7 7/16	19	23	58	30 3/8	77	96	244	98 1/2	249	7	18	6	15	21	53	40	102

Mechanical Features

Antenna Assembly	Standard Mount (S)
Mount Assembly	Galvanized A36 structural steel mount
Adjustments	Superior azimuth and elevation adjustment
Vertical Mast Pipe O.D.	4.5-in. (114 mm)
Net Weight (no ice*)	Low Freq, 192 lbs (87 kgs) High Freq, 216 lbs (98 kgs)
Net Weight (with ice*)	Low Freq, 370 lbs (168 kgs) High Freq, 570 lbs (258 kgs)
Operational Wind	70 mph / 112 kmh with 1-in. (25.4mm) of radial ice ⁽¹⁾
Survival Wind	125 mph / 201 kmh with 1-in. (25.4mm) of radial ice ⁽¹⁾
Standard	ANSI / TIA - 222

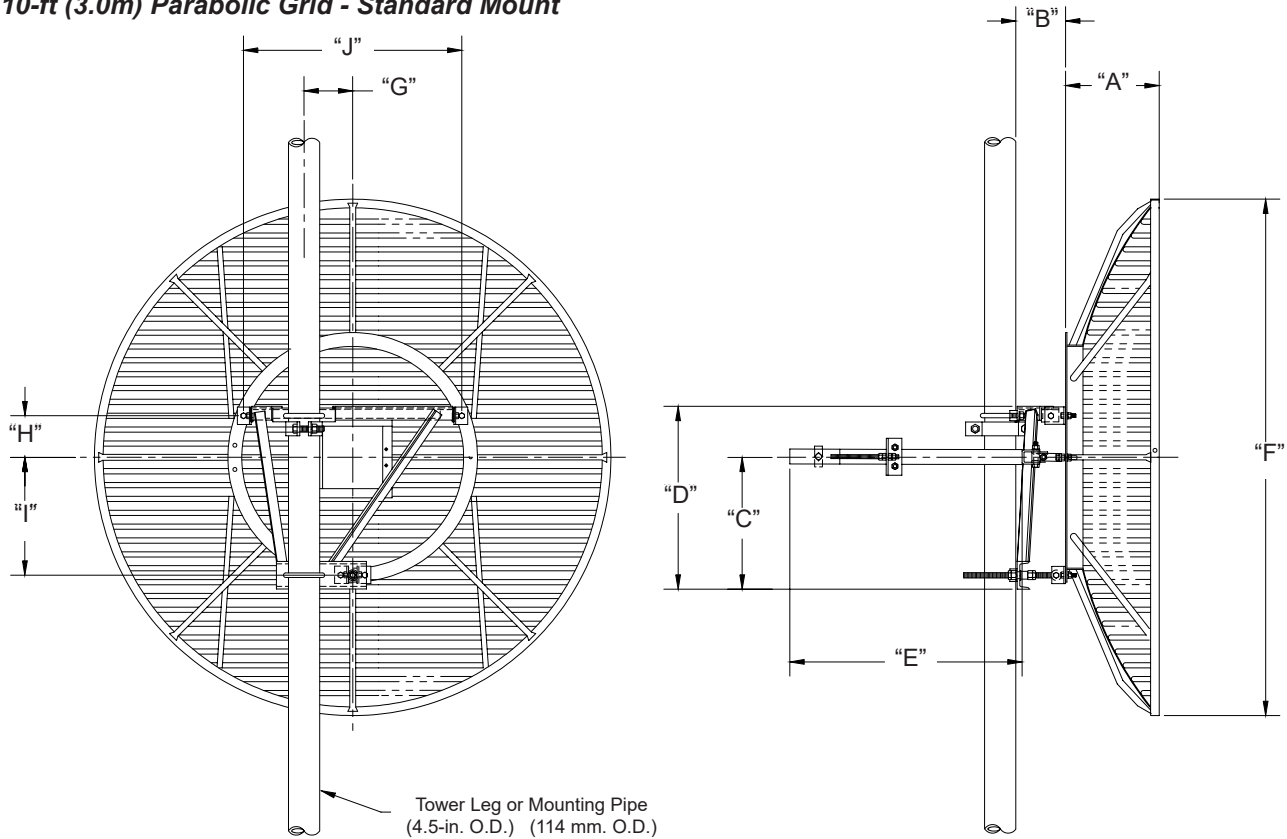
- Notes: (1.) Survival and Operational wind ratings are based on a specific models mechanical configuration.
 (2.) Models with higher survival ratings are available.
 (3.) Referenced product specifications are subject to change without notice.

Designed, Engineered, and Manufactured in Windham, ME USA
 mWAVE Industries is part of the Alaris Holdings Group of Companies.
 © mWAVE Industries LLC - 2023 All rights reserved.

Form: Grid Mechanical Specifications_8 FT 2.4M_Standard_230703_rev.0-DS



10-ft (3.0m) Parabolic Grid - Standard Mount



Dimensions

Diameter ft. (cm)		"A" in. (cm)		"B" in. (cm)		"C" in. (cm)		"D" in. (cm)		"E" in. (cm)		"F" in. (cm)		"G" in. (cm)		"H" in. (cm)		"I" in. (cm)		"J" in. (cm)	
10	305	21 ½	54	7 ⅞	19	23	58	30 ⅞	77	120	305	122 ½	310	7	18	6	15	21	53	40	102

Mechanical Features

Antenna Assembly	Standard Mount (S)
Mount Assembly	Galvanized A36 structural steel mount
Adjustments	Superior azimuth and elevation adjustment
Vertical Mast Pipe O.D.	4.5-in. (114 mm)
Net Weight (no ice*)	Low Freq, 240 lbs (109 kgs) High Freq, 286 lbs (130 kgs)
Net Weight (with ice*)	Low Freq, 517 lbs (235 kgs) High Freq, 646 lbs (293 kgs)
Operational Wind	70 mph / 112 kmh with 1-in. (25.4mm) of radial ice ⁽¹⁾
Survival Wind	125 mph / 201 kmh with 1-in. (25.4mm) of radial ice ⁽¹⁾
Standard	ANSI / TIA - 222

Notes: (1.) Survival and Operational wind ratings are based on a specific models mechanical configuration.

(2.) Models with higher survival ratings are available.

(3.) Referenced product specifications are subject to change without notice.

Designed, Engineered, and Manufactured in Windham, ME USA

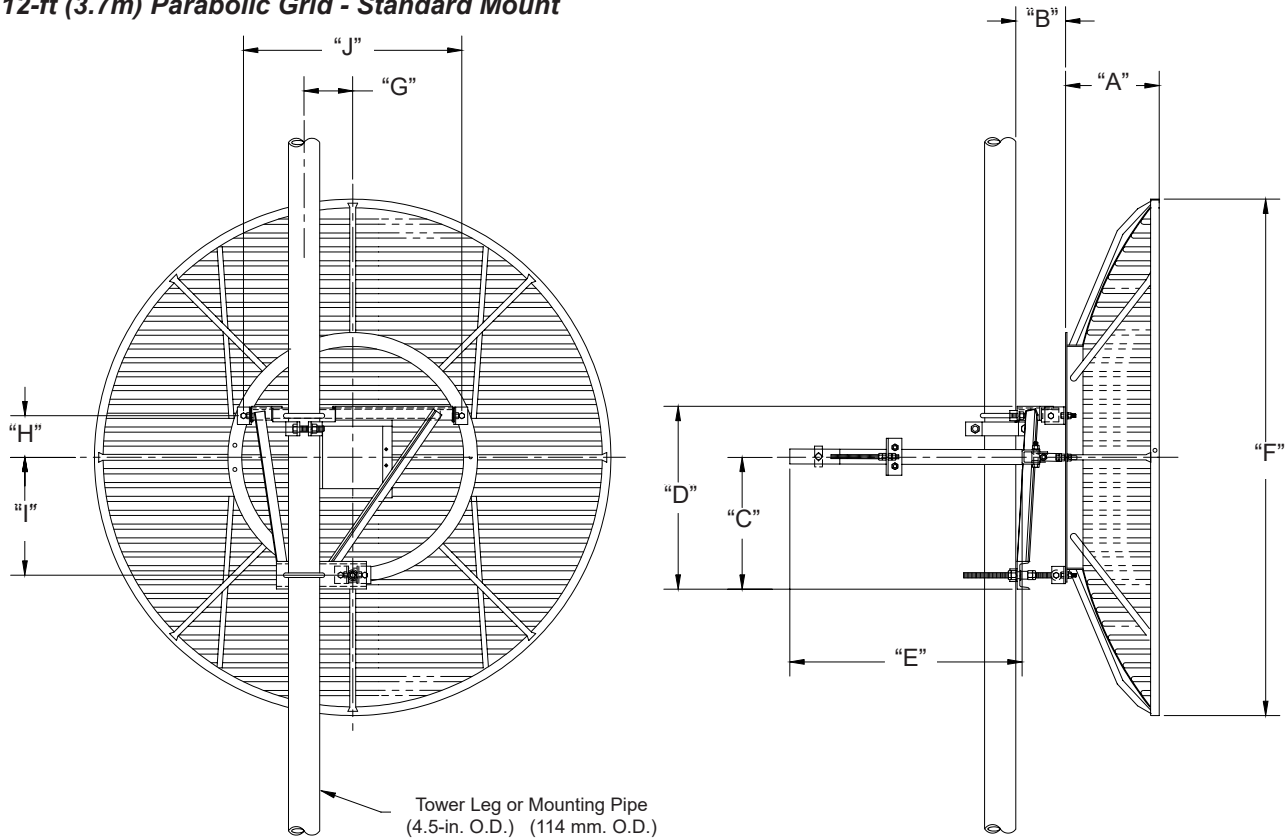
mWAVE Industries is part of the Alaris Holdings Group of Companies.

© mWAVE Industries LLC - 2023 All rights reserved.

Form: Grid Mechanical Specifications_10 FT 3.0M_Standard_230703_rev.0-DS



12-ft (3.7m) Parabolic Grid - Standard Mount



Dimensions

Diameter ft. (cm)		"A" in. (cm)		"B" in. (cm)		"C" in. (cm)		"D" in. (cm)		"E" in. (cm)		"F" in. (cm)		"G" in. (cm)		"H" in. (cm)		"I" in. (cm)		"J" in. (cm)	
12	366	24 ½	62	11 ½	29	31 ½	80	42 ¼	108	144	366	146 ½	371	7	18	9	23	28	71	54	137

Mechanical Features

Antenna Assembly	Standard Mount (S)
Mount Assembly	Galvanized A36 structural steel mount
Adjustments	Superior azimuth and elevation adjustment
Vertical Mast Pipe O.D.	4.5-in. (114 mm)
Net Weight (no ice*)	Low Freq, 450 lbs (204 kgs) High Freq, 465 lbs (211 kgs)
Net Weight (with ice*)	Low Freq, 767 lbs (348 kgs) High Freq, 1099 lbs (498 kgs)
Operational Wind	70 mph / 112 kmh with 1-in. (25.4mm) of radial ice ⁽¹⁾
Survival Wind	125 mph / 201 kmh with 1-in. (25.4mm) of radial ice ⁽¹⁾
Standard	ANSI / TIA - 222

Notes: (1.) Survival and Operational wind ratings are based on a specific models mechanical configuration.

(2.) Models with higher survival ratings are available.

(3.) Referenced product specifications are subject to change without notice.

Designed, Engineered, and Manufactured in Windham, ME USA

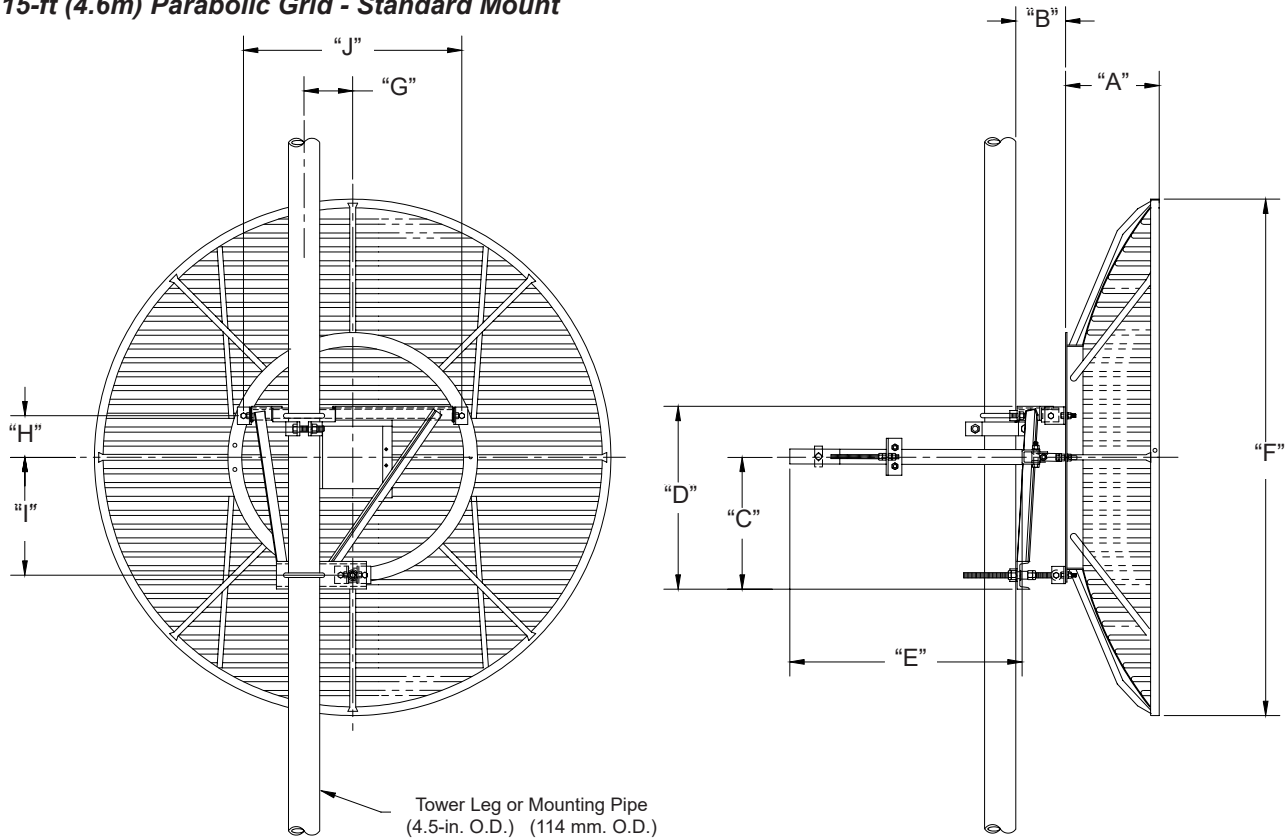
mWAVE Industries is part of the Alaris Holdings Group of Companies.

© mWAVE Industries LLC - 2023 All rights reserved.

Form: Grid Mechanical Specifications_12 FT 3.7M_Standard_230703_rev.0-DS



15-ft (4.6m) Parabolic Grid - Standard Mount



Dimensions

Diameter ft. (cm)		"A" in. (cm)		"B" in. (cm)		"C" in. (cm)		"D" in. (cm)		"E" in. (cm)		"F" in. (cm)		"G" in. (cm)		"H" in. (cm)		"I" in. (cm)		"J" in. (cm)	
15	457	31	79	11 ½	29	31 ½	80	42 ¼	108	144	366	183 ⅝	465	7	18	9	23	28 ½	72	54	137

Mechanical Features

Antenna Assembly	Standard Mount (S)
Mount Assembly	Galvanized A36 structural steel mount
Adjustments	Superior azimuth and elevation adjustment
Vertical Mast Pipe O.D.	4.5-in. (114 mm)
Net Weight (no ice*)	Low Freq, 650 lbs (295 kgs) High Freq, 750 lbs (340 kgs)
Net Weight (with ice*)	Low Freq, 1186 lbs (538 kgs) High Freq, 1966 lbs (892 kgs)
Operational Wind	70 mph / 112 kmh with 1-in. (25.4mm) of radial ice ⁽¹⁾
Survival Wind	125 mph / 201 kmh with 1-in. (25.4mm) of radial ice ⁽¹⁾
Standard	ANSI / TIA - 222

Notes: (1.) Survival and Operational wind ratings are based on a specific models mechanical configuration.

(2.) Models with higher survival ratings are available.

(3.) Referenced product specifications are subject to change without notice.

Designed, Engineered, and Manufactured in Windham, ME USA

mWAVE Industries is part of the Alaris Holdings Group of Companies.

© mWAVE Industries LLC - 2023 All rights reserved.

Form: Grid Mechanical Specifications_15 FT 4.6M_Standard_230703_rev.0-DS

