

Model

GS2-24-N-R

2.300 - 2.500 GHz
2-ft. (0.6) Mini Parabolic Grid
Single Polarized

mWAVE's Mini Grid Series of antennas are designed for short hops and years of trouble free operation. They are engineered to deliver both superior RF electrical and mechanical performance



Configuration

Type	Compact Truncated Mini Grid
Survival Rating	125 mph / 201 kmh (with 1 inch (25mm) of ice) ⁽¹⁾
Diameter	24.8-in. x 16.5-in. (630 x 420mm)
Frequency Band	2.300 - 2.500 GHz
Polarization	Single
Feed Input	Type N
Maximum Input Power	10 watts
Construction	Two piece aluminum reflector and mount
Antenna Color	Production Beige
Container	Corrugated box - Multipack crates available
Origin	Engineered and Manufactured in Windham, ME USA

Electrical

Frequency Band	2.300 - 2.500 GHz
Beamwidth, Horizontal	13.6°
Beamwidth, Vertical	16.6°
XPD (dB)	30
Regulatory	N / A
Front to Back Ratio (F/B) (dB)	26
Gain, Low (dBi)	21.4
Gain, Mid (dBi)	21.8
Gain, High (dBi)	22.1
Return Loss (RL) (dB)	14.0
VSWR	1.50:1

Notes: (1.) Survival and Operational wind ratings are based on a specific models mechanical configuration.
 (2.) Models with higher survival ratings are available.
 (3.) Referenced product specifications are subject to change without notice.
 mWAVE Industries is part of the Alaris Holdings Group of Companies.
 © mWAVE Industries LLC - 2022 All rights reserved

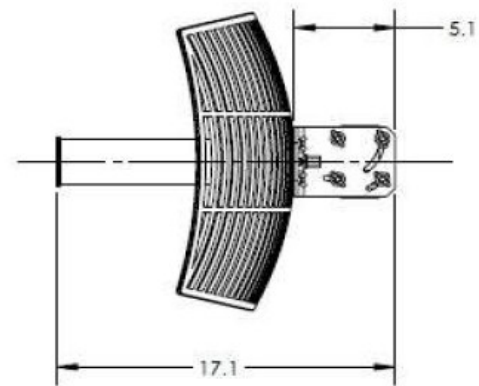
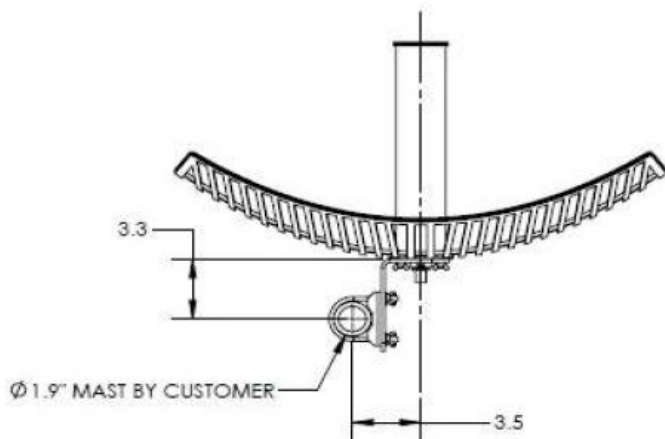
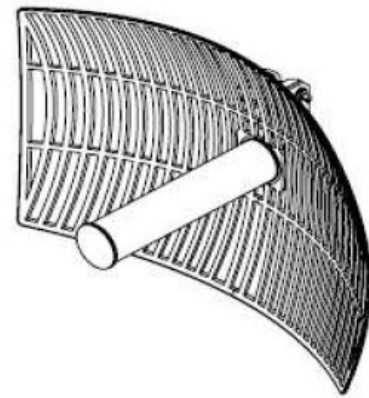
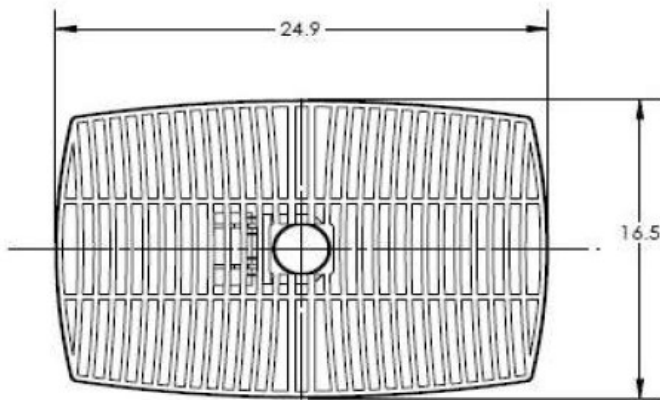


Model

GS2-24-N-R

2.300 - 2.500 GHz
2-ft. (0.6) Mini Parabolic Grid
Single Polarized

Mechanical Features



- Notes:
- (1.) Survival and Operational wind ratings are based on a specific models mechanical configuration.
 - (2.) Models with higher survival ratings are available.
 - (3.) Referenced product specifications are subject to change without notice.
- Designed, Engineered, and Manufactured in Windham, ME USA
mWAVE Industries is part of the Alaris Holdings Group of Companies.
© mWAVE Industries LLC - 2022 All rights reserved

Form: GS2-24-N-R_220729_rev.0-DS

