

S-BAND GaAs FET POWER AMPLIFIER KU PA 340360 – 13 A

Product Information

Product ID: _____

Specifications (Ta = 25 °C):		
Type	KU PA 340360 – 13 A	Features:
Frequency range	3400 ... 3600 MHz	<ul style="list-style-type: none"> - GaAs FET technology - High linearity (class A operation) - Good harmonic rejection - Isolator for protection against high VSWR - Reverse polarity protection - Monitor outputs for forward and reverse power detection - Adjustable ALC (automatic level control) - ON / OFF control with DC voltage (ON at 5 ... 14 V DC)
Input power		
For P1dB	typ. -13 dBm	
Maximum	0 dBm	
Output power		
P1dB	typ. 41.1 dBm, min. 40.8 dBm (CW)	
P1dB	typ. 13 W, min. 12 W (CW)	
P3dB	min. 42.3 dBm (CW)	
P3dB	min. 17 W (CW)	
COFDM 1)	typ. 34.7 dBm, min. 34 dBm	
COFDM 1)	typ. 3 W, min. 2.5 W	
Automatic level control (ALC)	yes (adjustable ALC)	Applications:
Gain		<ul style="list-style-type: none"> - Digital broadcast systems (DVB, DMB) - COFDM systems using modulation types QPSK, QAM - Analog transmission systems
Small signal	typ. 55 dB, min. 53 dB	
Flatness (small signal)	typ. +/-0.5 dB	Options:
Harmonics		<ul style="list-style-type: none"> - Amplifier mounted on heat sink with fans
Harmonic rejection @ 41.7 dBm	min. 45 dB	
Protection		Amplifier should be mounted on heat sink!
Output protection	isolator	<small>1) Single carrier; 64 QAM; 8MSPS; EVM=2% 2) Two tone test; Δf=1MHz</small>
Over temperature protection	Yes	
Intermodulation distortions		CE Conformity:
IM3 @ 37 dBm PEP 2)	min. 35 dBc	<ul style="list-style-type: none"> - EMC directive 2014/30/EU - Low voltage directive 2014/35/EU - RoHS directive 2011/65/EU
Efficiency @ 41.7 dBm (CW)	min. 25 %	
Input return loss (S11)	min. 13 dB	
ON voltage	+5 ... 14 V DC	
Supply voltage	+12 ... 14 V DC	
Quiescent current	typ. 4.3 A	
Current consumption @ P1dB	typ. 5 A	
Monitor output		
Forward detection	yes (Diode-Detector)	
Reverse detection	yes (Diode Detector)	
Limits		
Operating case temperature range	-20 ... +55 °C	
Mechanics		
Input connector / impedance	SMA-female, 50 ohms	
Output connector / impedance	SMA-female, 50 ohms	
Case	milled aluminium	
Dimensions (mm)	158 x 59 x 20	
Weight	typ. 320 g	

2018-05-29

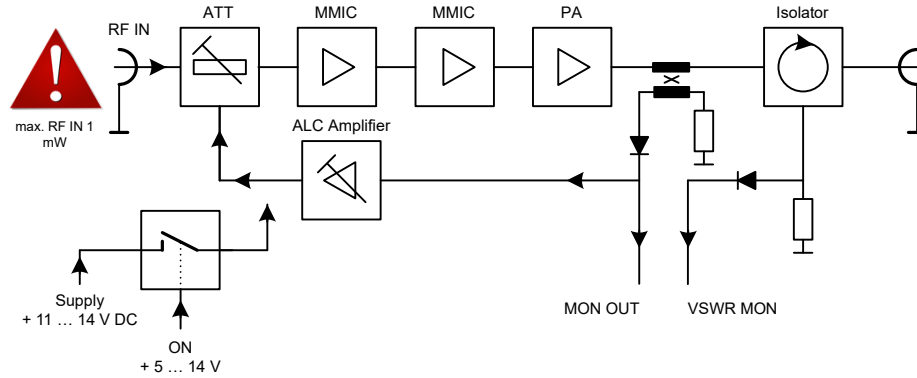


Products are only to be sold to processing companies.
For operating high frequency modules legal instructions must be followed.

S-BAND GaAs FET POWER AMPLIFIER KU PA 340360 – 13 A

Product Information

Block diagram



ON.....supply DC voltage to „ON“ to switch power amplifier „ON“ (active)
 MON OUT.....Output which monitors forward power (DC voltage), not calibrated
 VSWR MON.....Output which monitors reverse power (DC voltage), not calibrated



Sig.: _____ QS: _____