

S-BAND LDMOS LINEAR POWER AMPLIFIER KU PA 330360 – 140 A

Produktinformationen / Product Information

Specifications (Ta = 25 °C):

Type KU PA 330360 – 140 A

Frequency range 3300 ... 3600 MHz

Input power

For P1dB typ. 42 dBm
Maximum 43.4 dBm

Output power

P1dB min. 51.4 dBm (CW)
P1dB min. 140 W (CW)

Gain

Small signal typ. 11 dB
Flatness (small signal) typ. +/-1 dB

Harmonics

Harmonic rejection @ 51.7 dBm typ. 23 dB

Protection

Over temperature protection Yes

Intermodulation distortions

IM3 @ 50 dBm PEP 1) typ. 30 dBc

Efficiency @ 51.7 dBm (CW) typ. 35 %
Input return loss (S11) min. 12 dB

ON voltage +12 V DC
Supply voltage +28 V DC

Quiescent current typ. 2 A

Current consumption @ P1dB typ. 15 A

Monitor output

Forward detection yes (Diode-Detector)

Limits

VSWR of load max. 1.8:1
Operating case temperature range -20 ... +55 °C

Mechanics

Input connector / impedance SMA-female, 50 ohms
Output connector / impedance N-female, 50 ohms
Case milled aluminium
Dimensions (mm) 125 x 80 x 20
Weight typ. 440 g

Features:

- LDMOS technology
- Reverse polarity protection
- Monitor output for forward power detection (DC voltage)
- ON / OFF control (ON at +12 V)
- Built-in over temperature protection

Applications:

- Analog transmission systems
- Laboratory equipment

Amplifier should be mounted on heat sink!

1) Two tone test; $\Delta f=1\text{MHz}$

CE Conformity:

- EMC directive 2014/30/EU
- Low voltage directive 2014/35/EU
- RoHS directive 2011/65/EU



2022-05-11

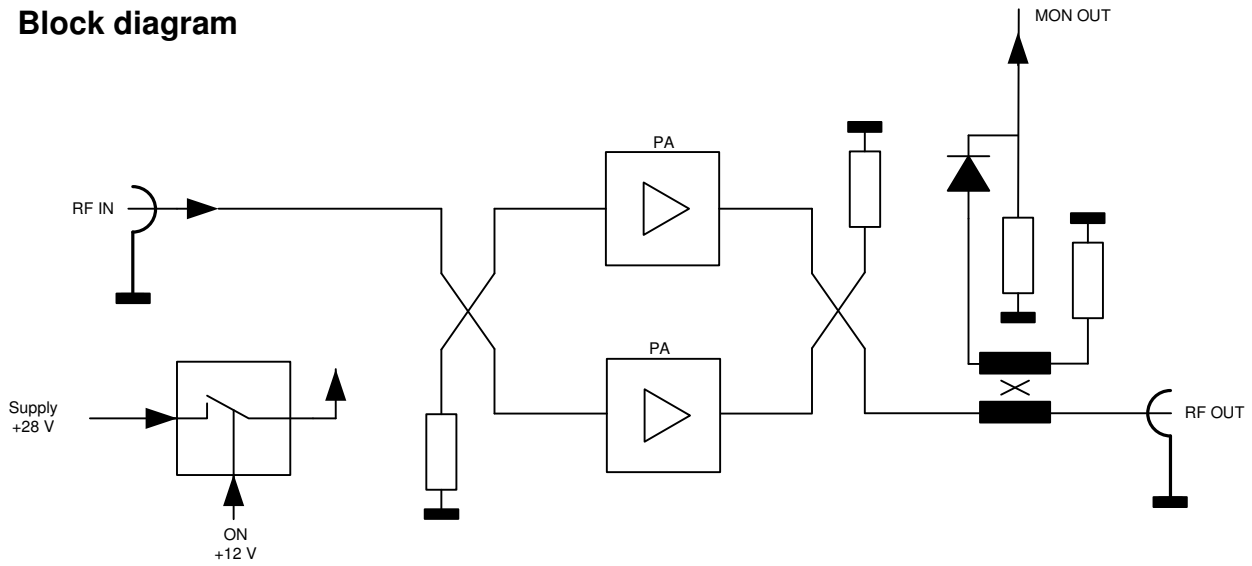


Products are only to be sold to processing companies.
For operating high frequency modules legal instructions must be followed.

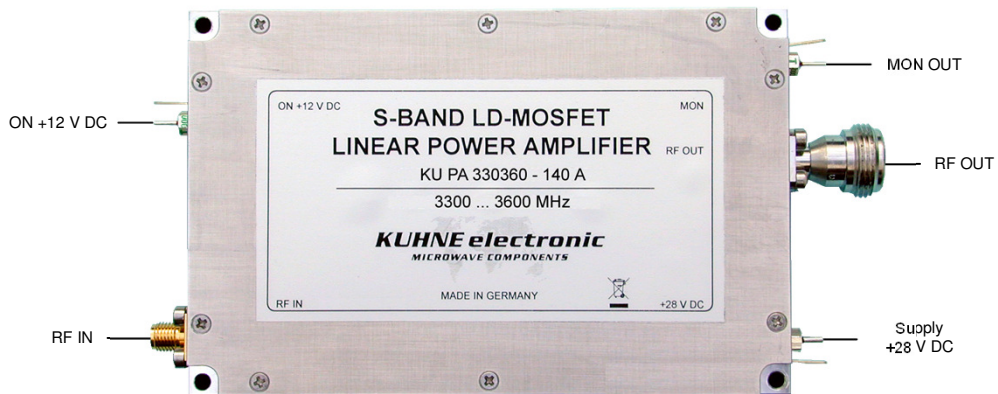
S-BAND LDMOS LINEAR POWER AMPLIFIER KU PA 330360 – 140 A

Produktinformationen / Product Information

Block diagram



ON.....supply DC voltage to „ON“ to switch power amplifier „ON“ (active)
 MON OUT.....Output which monitors forward power (DC voltage), not calibrated



Sig.: _____ QS: _____



Products are only to be sold to processing companies.
 For operating high frequency modules legal instructions must be followed.