

# L-Band LD-MOSFET Linear Power Amplifier KU PA 125145 – 30 A

## Product Information

Product ID: \_\_\_\_\_



### Specifications (Ta = 25 °C):

#### Type

**KU PA 125145 – 30 A**

#### Features:

Frequency range

1250 ... 1450 MHz

- LD MOSFET technology
- High linearity
- High efficiency
- Reverse polarity protection
- Monitor output for forward power detection (DC voltage)

#### Input power

For P1dB

typ. 25 dBm

Maximum

29 dBm

#### Output power

P1dB

typ. 44.7 dBm, min. 44 dBm (CW)

#### Applications:

P1dB

typ. 30 W, min. 25 W (CW)

- Digital broadcast systems (DAB, DVB)
- COFDM systems using modulation types QPSK, QAM
- Analog transmission systems

P3dB

typ. 46 dBm (CW)

P3dB

typ. 40 W (CW)

COFDM 1)

typ. 40 dBm, min. 39 dBm

COFDM 1)

typ. 10 W, min. 8 W

#### Accessories:

- Recommended power supply: RSP 150 W 27
- Recommended heat sink: SK 150 - 62
- Recommended fan: FAN 60x60 24 V

#### Gain

Small signal

min. 21 dB

Flatness (small signal)

typ. +/-0.5 dB

#### Harmonics

Harmonic rejection @ 30 W

typ. 18 dB

#### Intermodulation distortions

IM3 @ 43 dBm PEP 2)

typ. 35 dBc, min. 30 dBc

#### Amplifier should be mounted on heat sink!

Efficiency @ 30W (CW)

typ. 50 %, min. 46 %

Input return loss (S11)

typ. 10 dB

1) Single carrier; 64 QAM; 8MSPS; EVM=2%

2) Two tone test; Δf=1MHz

ON voltage

+5 ... 14 V DC

Current @ ON pin

typ. 2 mA

Supply voltage

+28 V DC

Quiescent current

typ. 350 mA

#### CE Conformity:

- EMC directive 2014/30/EU
- Low voltage directive 2014/35/EU
- RoHS directive 2011/65/EU

Current consumption

max. 3.5 A

#### Monitor output

Forward detection

yes (Diode-Detector)

#### Limits

VSWR of load

max. 1.8:1

Operating case temperature range

-20 ... +55 °C

#### Mechanics

Input connector / impedance

SMA-female, 50 ohms

Output connector / impedance

SMA-female, 50 ohms

Case

milled aluminium

Dimensions (mm)

80 x 60 x 20

Weight

typ. 145 g

2017-01-17

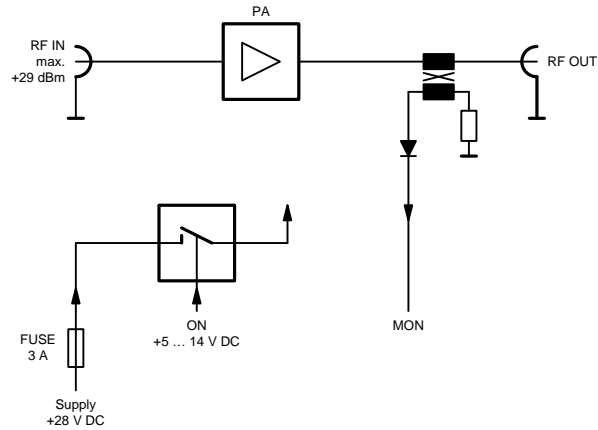


Products are only to be sold to processing companies.  
For operating high frequency modules legal instructions must be followed.

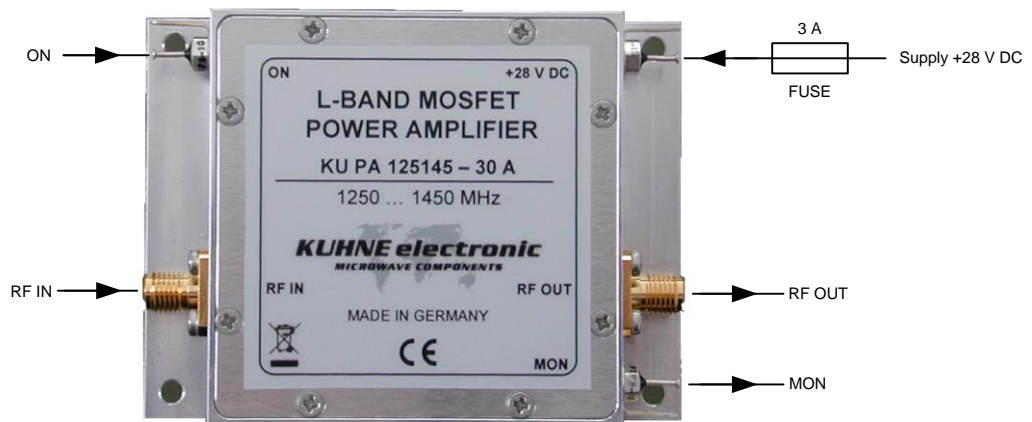
# L-Band LD-MOSFET Linear Power Amplifier KU PA 125145 – 30 A

## Product Information

### Block diagram



ON.....supply DC voltage to „ON“ to switch power amplifier „ON“ (active)  
 MON OUT.....Output which monitors forward power (DC voltage), not calibrated



Sig.: \_\_\_\_\_ QS: \_\_\_\_\_



Products are only to be sold to processing companies.  
 For operating high frequency modules legal instructions must be followed.