

UHF BAND LDMOS LINEAR POWER AMPLIFIER KU PA 040050 – 7 HY

Product Information

Product ID: _____



Specifications (Ta = 25 °C):

Type KU PA 040050 – 7 HY

Frequency range 400 ... 500 MHz

Input power

For P3dB typ. 18 dBm
Maximum 21 dBm

Output power

P3dB min. 38.4 dBm (CW)
P3dB min. 7 W (CW)

Gain

Small signal min. 23 dB
Flatness (small signal) max. 5 dB

Harmonics

Harmonic rejection @ 38.4 dBm min. 60 dB

Intermodulation distortions

IM3 @ 34.7 dBm PEP 1) min. 30 dBc

Efficiency @ 38.4 dBm (CW) typ. 40 %, min. 30 %
Input return loss (S11) min. 10 dB

ON voltage +10 ... 13 V DC
Supply voltage +12 ... 14 V DC

Quiescent current typ. 1 A

Current consumption @ P3dB typ. 1.4 A, max. 2 A

Monitor output

Forward detection yes (Diode-Detector)

Limits

VSWR of load 1.8:1
Operating case temperature range -20 ... +55 °C

Mechanics

Input connector / impedance SMA-female, 50 ohms
Output connector / impedance SMA-female, 50 ohms
Case milled aluminium
Dimensions (mm) 130 x 60 x 20
Weight typ. 240 g

Features:

- Good linearity
- Reverse polarity protection
- Monitor output for forward power detection (DC voltage)
- Built-in low pass filter for good harmonic rejection

Applications:

- Analog transmission systems
- Power amplifier for radio amateur applications (SSB, CW)

Accessoires:

- Recommended power supply: S 150 W 12
- Recommended heat sink: SK 150 – 62
- Recommended fan: FAN 60x60 12 V

Amplifier should be mounted on heat sink!

1) Two tone test; $\Delta f=1\text{MHz}$

CE Conformity:

- EMC directive 2014/30/EU
- Low voltage directive 2014/35/EU
- RoHS directive 2011/65/EU

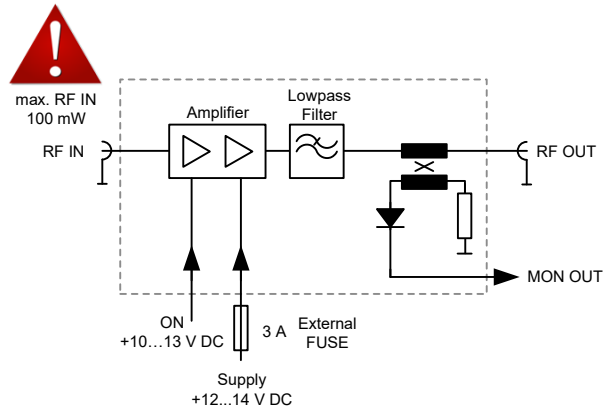
2019-12-17



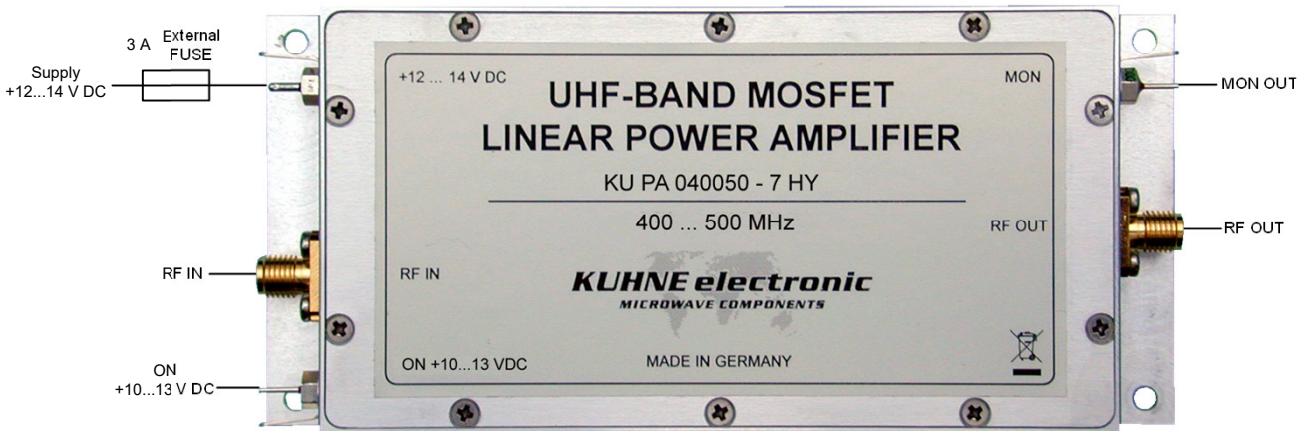
Products are only to be sold to processing companies.
For operating high frequency modules legal instructions must be followed.

UHF LDMOS LINEAR POWER AMPLIFIER KU PA 040050 – 7 HY

Product Information



ON.....supply DC voltage to „ON“ to switch power amplifier „ON“ (active)
 MON OUT.....Output which monitors forward power (DC voltage), not calibrated



Sig.: _____ QS: _____