

UHF-BAND LINEAR MOSFET POWER AMPLIFIER KU PA 040048 – 60 HY

Product Information

Specifications (Ta = 25 °C):

Type KU PA 040048 – 60 HY

Frequency range 400 ... 480 MHz

Input power

For P1dB typ. 12 dBm
For P3dB typ. 17 dBm
Maximum 20 dBm

Output power

P1dB min. 43 dBm (CW)
P1dB min. 20 W (CW)
P3dB min. 47.7 dBm (CW)
P3dB min. 60 W (CW)

Gain

Small signal min. 34 dB
Flatness (small signal) typ. +/- 1 dB

Harmonics

Harmonic rejection @ 47 dBm min. 55 dB

Intermodulation distortions

IM3 @ 43 dBm PEP 2) typ. 27 dBc

Efficiency @ 47 dBm (CW) min. 30 %
Input return loss (S11) typ. 10 dB

ON voltage +12 V DC
Supply voltage +12 ... 14 V DC

Quiescent current typ. 4 A

Current consumption @ P1dB typ. 8 A

Monitor output

Forward detection yes (Diode-Detector)

Limits

VSWR of load max. 1.8:1
Operating case temperature range -20 ... +55 °C

Mechanics

Input connector / impedance SMA-female, 50 ohms
Output connector / impedance N-female, 50 ohms
Case milled aluminium
Dimensions (mm) 130 x 60 x 20
Weight typ. 270 g

Features:

- Good linearity
- Built-in low pass filter for good harmonic rejection
- Reverse polarity protection
- Monitor outputs for forward power detection

Applications:

- Analog and digital transmission systems

Amplifier should be mounted on heat sink!

- 1) Single carrier; 64 QAM; 8Msps; EVM=2%
- 2) Two tone test; $\Delta f=1\text{MHz}$

All technical data are specified and measured at a supply voltage of +14 V DC at room temperature!

CE Conformity:

- EMC directive 2014/30/EU
- Low voltage directive 2014/35/EU
- RoHS directive 2011/65/EU



2021-05-25

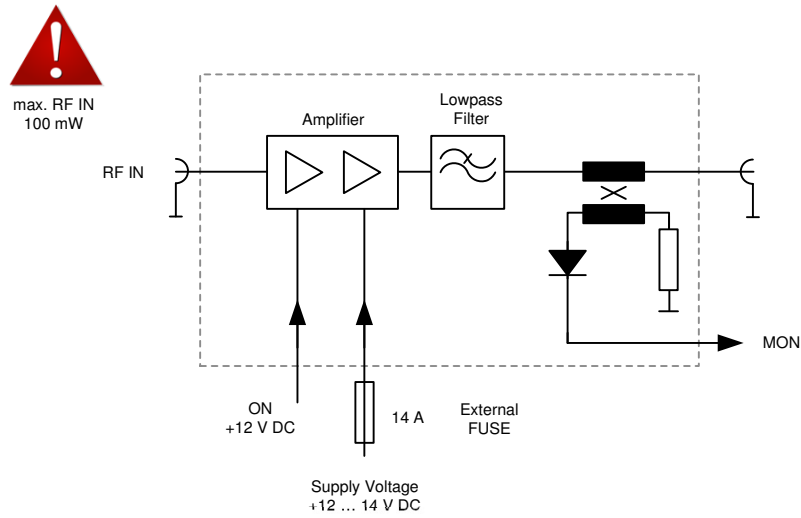


Products are only to be sold to processing companies.
For operating high frequency modules legal instructions must be followed.

UHF-BAND LINEAR MOSFET POWER AMPLIFIER KU PA 040048 – 60 HY

Product Information

Block diagram



ON.....supply DC voltage to „ON“ to switch power amplifier „ON“ (active)
MON OUT.....Output which monitors forward power (DC voltage), not calibrated



Sig.: _____ QS: _____



Products are only to be sold to processing companies.
For operating high frequency modules legal instructions must be followed.