


# VHF - BAND MOSFET Linear Power Amplifier KU PA 014018 – 50 HY

## Product Information

Specifications (Ta = 25 °C):		Applications:
<b>Type</b>	<b>KU PA 014018 – 50 HY</b>	- Analog transmission systems
Frequency range	140 ... 180 MHz	
<b>Input power</b> for P3dB Maximum	min. +12 dBm +17 dBm	<b>Features:</b> - Built-in low pass filter for good harmonic rejection - Reverse polarity protection - Monitor outputs for forward and reverse power detection
<b>Output power</b> P3dB P3dB	typ. 47 dBm, min. 46.5 dBm (CW) typ. 50 W, min. 45 W (CW)	
<b>Gain</b> Small signal Gain flatness (small signal)	typ. 36 dB, min. 34 dB max. +/- 3 dB	<b>Options:</b> - Amplifier mounted on heat sink with fans
<b>Harmonics</b> Harmonic rejection @ 47 dBm	typ. 50 dB	
<b>Intermodulation distortions</b> IM3 @ 43 dBm PEP 1)	min. 20 dBc	<b>Amplifier should be mounted on heat sink!</b>  1) Two tone test; $\Delta f = 1$ MHz
Efficiency @ 47 dBm (CW) Input return loss (S11)	min. 30 % typ. 10 dB	
ON voltage Supply voltage	+12 V DC +12 ... 14 V DC	<b>CE Conformity:</b> - EMC directive 2014/30/EU - Low voltage directive 2014/35/EU - RoHS directive 2011/65/EU
Quiescent current	typ. 4 A	
Current consumption @ P3dB	max. 12 A	
<b>Monitor output</b> Forward detection Reverse detection	yes (diode detector) yes (diode detector)	
<b>Limits</b> Operating case temperature range	-20 ... +55 °C	
<b>Mechanics</b> Input connector / impedance Output connector / impedance Case Dimensions (mm) Weight	SMA-female, 50 ohms N-female, 50 ohms milled aluminium 160 x 60 x 20 typ. 270 g	

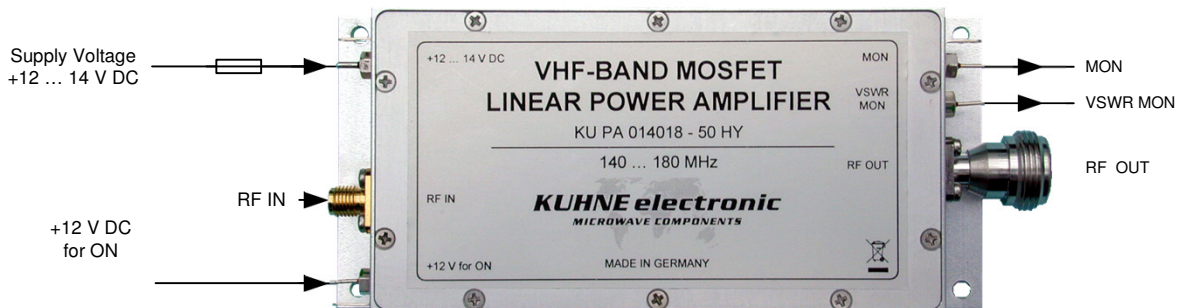
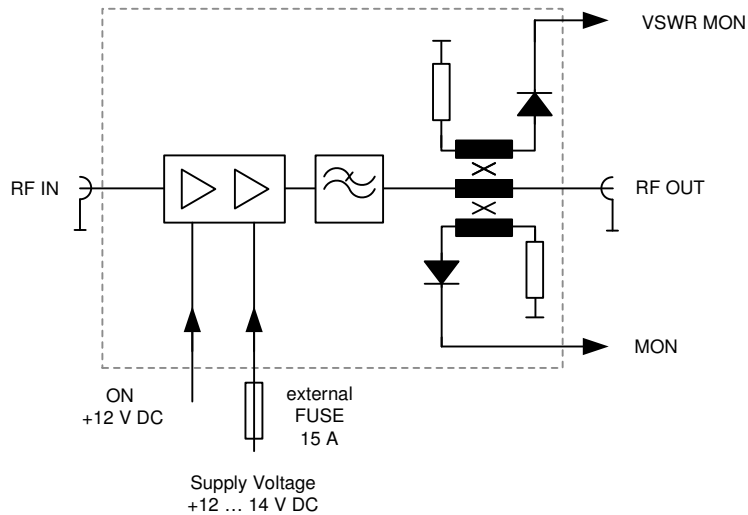


Products are only to be sold to processing companies.  
For operating high frequency modules legal instructions must be followed.

# VHF - BAND MOSFET Linear Power Amplifier KU PA 014018 – 50 HY

## Product Information

### Block diagram



Sig.: \_\_\_\_\_ QS: \_\_\_\_\_