

VHF – Band MOSFET Linear Power Amplifier KU PA 013017 – 100 HY

Product Information

Product ID: _____

Specifications (Ta = 25 °C):

Type KU PA 013017 – 100 HY

Frequency range 130 ... 170 MHz

Input power

For P3dB typ. 15 dBm
Maximum 20 dBm

Output power

P3dB typ. 50 dBm (CW)
P3dB typ. 100 W (CW)

Gain

Small signal typ. 40 dB, min. 35 dB
Flatness (small signal) typ. +/-3 dB

Harmonics

Harmonic rejection @ 46 dBm typ. 60 dB

Intermodulation distortions

IM3 @ 46 dBm PEP₁) typ. 27 dBc

Efficiency @ 50 dBm (CW) typ. 37 %
Input return loss (S11) min. 20 dB

ON voltage +12 V DC
Supply voltage +12 ... 14 V DC

Quiescent current typ. 10 A

Current consumption @ P3dB max. 21 A

Monitor output

Forward detection yes (Diode-Detector)

Limits

VSWR of load max. 1.8:1
Operating case temperature range -20 ... +55 °C

Mechanics

Input connector / impedance SMA-female, 50 ohms
Output connector / impedance N-female, 50 ohms
Case milled aluminium
Dimensions (mm) 124 x 80 x 22
Weight typ. 400 g

Features:

- Good linearity
- Built-in low pass filter for good harmonic rejection
- Reverse polarity protection
- Monitor outputs for forward power detection

Applications:

- Analog and digital transmission systems

Accessories:

- Recommended power supply: SP 320 W 12
- Recommended heat sink: SK 200 - 125
- Recommended fan: 2x FAN 60x60 12 V

Amplifier should be mounted on heat sink!

1) Two tone test; $\Delta f=1\text{MHz}$

CE Conformity:

- EMC directive 2014/30/EU
- Low voltage directive 2014/35/EU
- RoHS directive 2011/65/EU



2023-07-13

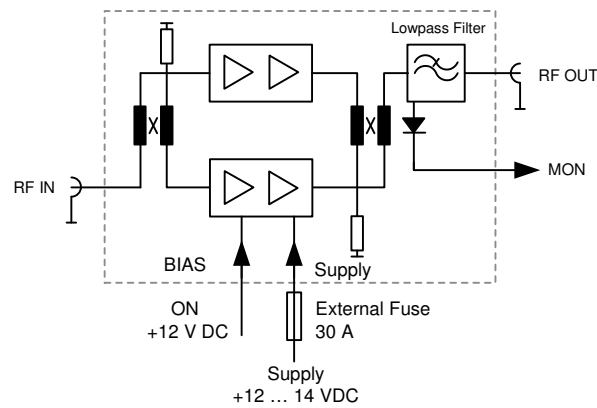


Products are only to be sold to processing companies.
For operating high frequency modules legal instructions must be followed.

VHF – Band MOSFET Linear Power Amplifier KU PA 013017 - 100 HY

Product Information

Block diagram



ON.....supply DC voltage to „ON“ to switch power amplifier „ON“ (active)
 MON OUT.....Output which monitors forward power (DC voltage), Diode detector



Sig.: _____ QS: _____



Für den Betrieb der Hochfrequenzmodule sind die entsprechenden gesetzlichen Vorschriften zu beachten.
 Diese Erzeugnisse dürfen nur an weiterverarbeitende Betriebe.
 Products are only to be sold to processing companies.
 For operating high frequency modules legal instructions must be followed.