

UHF LDMOS LINEAR POWER AMPLIFIER KU PA BB 005090 – 6 A

Product Information

Specifications (Ta = 25 °C):

| | | |
|------------------------------------|---------------------------------|--|
| Type | KU PA BB 005090 – 6 A | |
| Frequency range | 50 ... 900 MHz | |
| Input power | | |
| Maximum | 15 dBm | |
| Output power | | |
| P3dB 50 ... 500 MHz | typ. 39 dBm, min. 38.4 dBm (CW) | |
| 500 ... 900 MHz | typ. 37.8 dBm, min. 37 dBm (CW) | |
| P3dB 50 ... 500 MHz | typ. 8 W, min. 7 W (CW) | |
| 500 ... 900 MHz | typ. 6 W, min. 5 W (CW) | |
| COFDM 1) | typ. 30 dBm | |
| COFDM 1) | typ. 1 W | |
| Gain | | |
| Small signal | min. 30 dB | |
| Flatness (small signal) | typ. +/-2.5 dB | |
| Harmonics | | |
| Harmonic rejection @ 37 dBm | min. 20 dB | |
| Intermodulation distortions | | |
| IM3 @ 37 dBm PEP 2) | typ. 25 dBc, min. 23 dBc | |
| Efficiency @ 37 dBm (CW) | min. 20 % | |
| Input return loss (S11) | min. 12 dB | |
| ON voltage | +9 ... 14 V DC | |
| Supply voltage | +28 V DC | |
| Quiescent current | 450 mA | |
| Current consumption | max. 1 A | |
| Limits | | |
| VSWR of load | 1.8:1 | |
| Operating case temperature range | -20 ... +55 °C | |
| Mechanics | | |
| Input connector / impedance | SMA-female, 50 ohms | |
| Output connector / impedance | SMA-female, 50 ohms | |
| Case | milled aluminium | |
| Dimensions (mm) | 79 x 59 x 20 | |
| Weight | typ. 135 g | |

Features:

- LDMOS technology
- Reverse polarity protection
- Milled aluminium case
- Small mechanical dimensions



Applications:

- Analog transmission systems
- Measurement and laboratory equipment
- Driver amplifier

Amplifier should be mounted on heat sink!

- 1) Single carrier; 64 QAM; 8Msps; EVM=2%
2) Two tone test; $\Delta f=1\text{MHz}$

CE Conformity:

- EMC directive 2014/30/EU
- Low voltage directive 2014/35/EU
- RoHS directive 2011/65/EU

2023-01-31

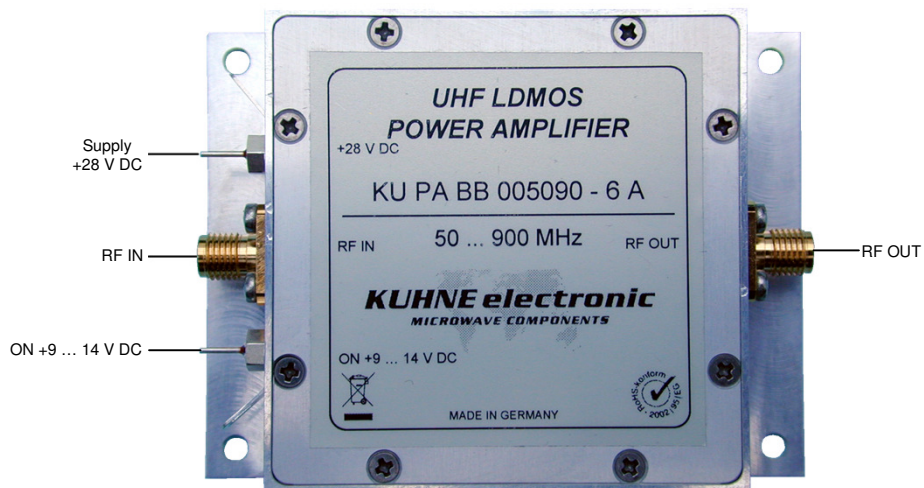
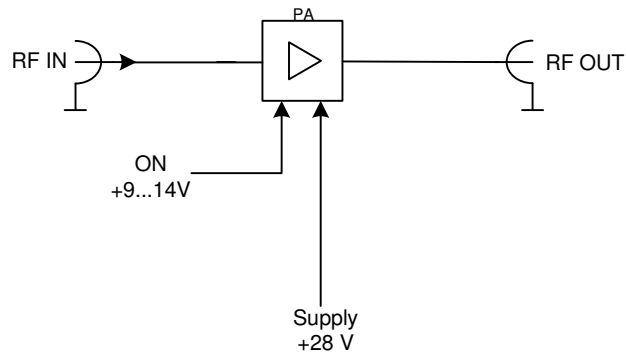


Products are only to be sold to processing companies.
For operating high frequency modules legal instructions must be followed.

UHF LDMOS LINEAR POWER AMPLIFIER KU PA BB 005090 – 6 A

Product Information

Block diagramm



ON.....supply DC voltage to „ON“ to switch power amplifier „ON“ (active)

Sig.: _____ QS: _____