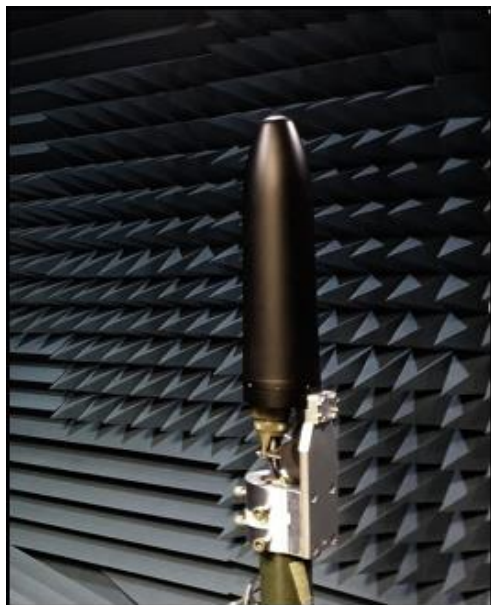


Compact Adcock DF Antenna

400 – 6000 MHz

Product Code: DF-A0254



PRODUCT DESCRIPTION:

The DF-A0254 is a dual band, compact Adcock DF antenna intended for direction-finding from 400 MHz to 6000 MHz.

The antenna presents patterns suitable for the Watson-Watt estimation method, as well as 3-channel correlative DF (CDF). The antenna offers an omni-channel output that can also be used for monitoring.

The DF-A0254 has a low noise amplifier on each channel with passive bypass capability, an integrated noise source or optional external signal can be used for downstream RF chain calibration and various compass and GPS options.

*CA Application 2,853,219;

*EP Patent 2771943;

*U.S. Patent No. 14/353,382;

*ZA Patent No. 2014/02806

Mechanical:	
Dimensions	See outline below
Total mass	1.1 kg incl bracket
Environmental: designed to meet the following specifications	
Wind survival	160 km/h (without ice)
Temperature (operation)	-30 °C to +70 °C
Vibration and shock	Designed to MIL-STD-810F for ground vehicles
IP Rating	IP66

SPECIFICATIONS:

Product Code: DF-A0254	RS485 communication interface and electronic compass	
DF-A0254-01	RS485 communication interface and electronic compass, no Amplification	
DF-A0254-02	USB V2.0 communication interface, 64 MB onboard memory	
DF-A0254-05	USB V2.0 communication interface, integrated inertial navigation system and 64 MB onboard memory	
Electrical: DF		
Frequency range	400 – 6000 MHz	
Frequency bands	Band C: 400 - 2000 MHz Band D: 2000 - 6000 MHz	
Number of channels	3	
DF method	Watson-Watt or 3-channel CDF	
RMS accuracy	See graph below	
Polarisation	Vertical	
Omni-output	Yes	
Nominal input impedance	50 Ω	
Electrical:	DF-A0254 / -01	DF-A0254-02 / -05
Frequency range	400 – 6000 MHz	
RF Amplification Gain	17 ± 2 dB (excl DF-A0254-01)	17 ± 2 dB
Control	RS 485 serial at 115 kbaud	USB V2.0
Switching time	< 100 µs using serial commands < 5 µs when using dedicated lines	< 25 µs
Integrated features:	DF-A0254 / -01 / -02	DF-A0254-05
Navigation	Integrated compass Heading accuracy 2° RMS	Integrated GPS/INS ¹ unit. Heading accuracy 0.3° RMS
GPS Antenna	Active (L1)	Active (L1)
Onboard Storage	Model no., serial no., user data fields	64MB flash in addition to Model no., serial no., user data fields
Programming interface	None	to integrated micro controller
RF calibration	RF chain calibration using Integrated noise source or external applied signal	
Power supply	6 - 18 V DC	
Power consumption	< 3W	
Interfaces:		
Connector	MIL-DTL-38999 multi-pin connector	
Antenna outputs	3 x co-axial	
Integrated GPS	1 x co-axial	
Ext cal input	1 x co-axial	
Control and power	4 x digital	
Programming	4 x digital (DF-A0254-02 / -05 only)	
Mechanical	Removable flange for vehicle or mast-mounting Various sockets for tripod / gooseneck (1/4-20 UNC, 3/8-16 UNC, M10-6H, 3x M5-6H)	

Notes:

1. VN-200 GPS/INS

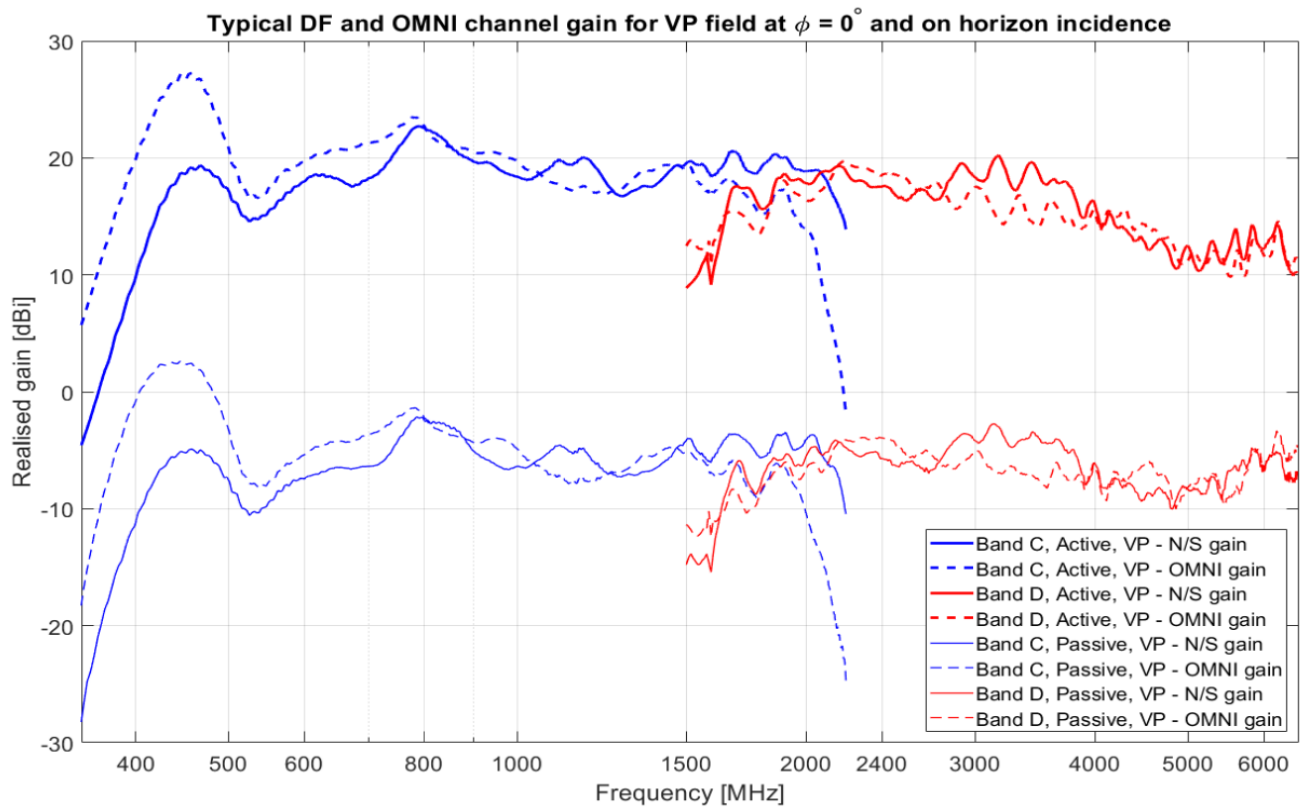
Compact Adcock DF Antenna

400 – 6000 MHz

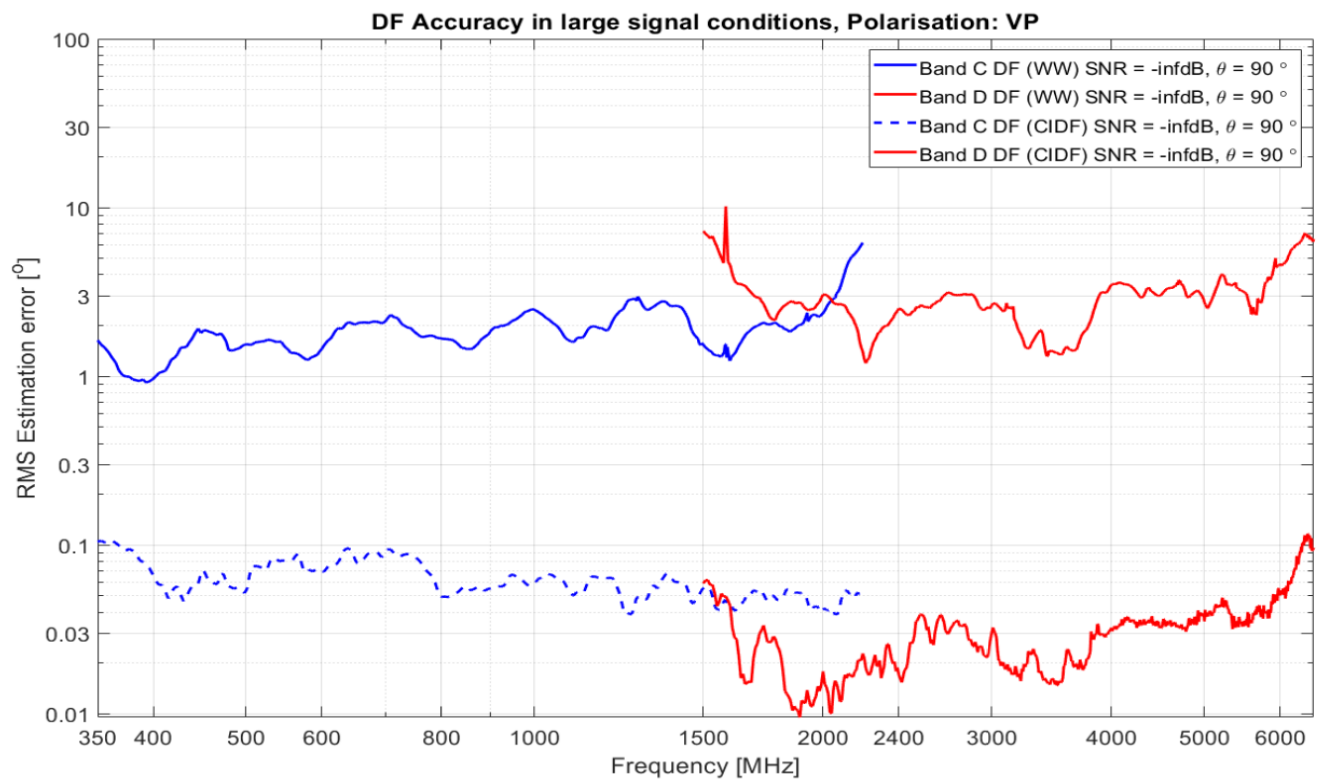
Product Code: DF-A0254

VERSION: 1.5

Antenna Channel Gain:



DF Accuracy:



Updated 2020-09-22



sales@alaris.co.za
www.alarisantennas.com

PAGE 2 of 6

Alaris Antennas has a policy of continuous improvement and hence specifications may change without notice

**GAIN THE
ADVANTAGE**

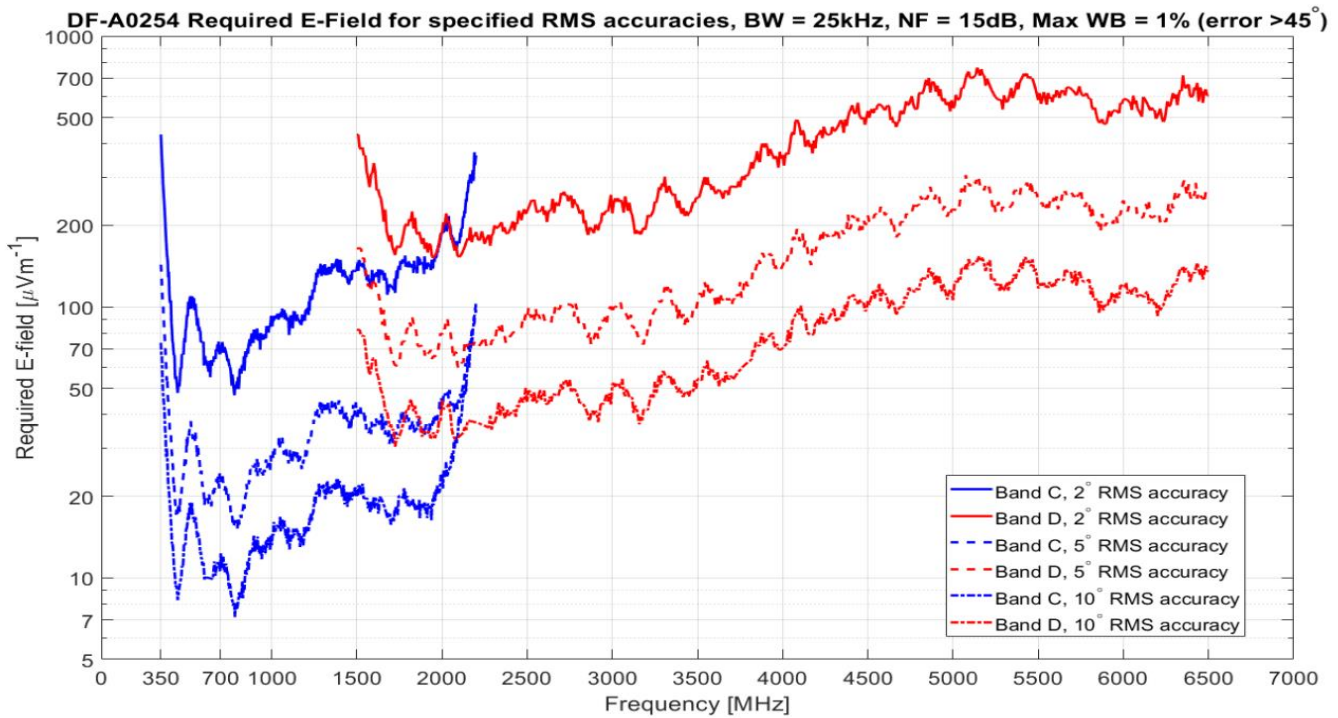
Compact Adcock DF Antenna

400 – 6000 MHz

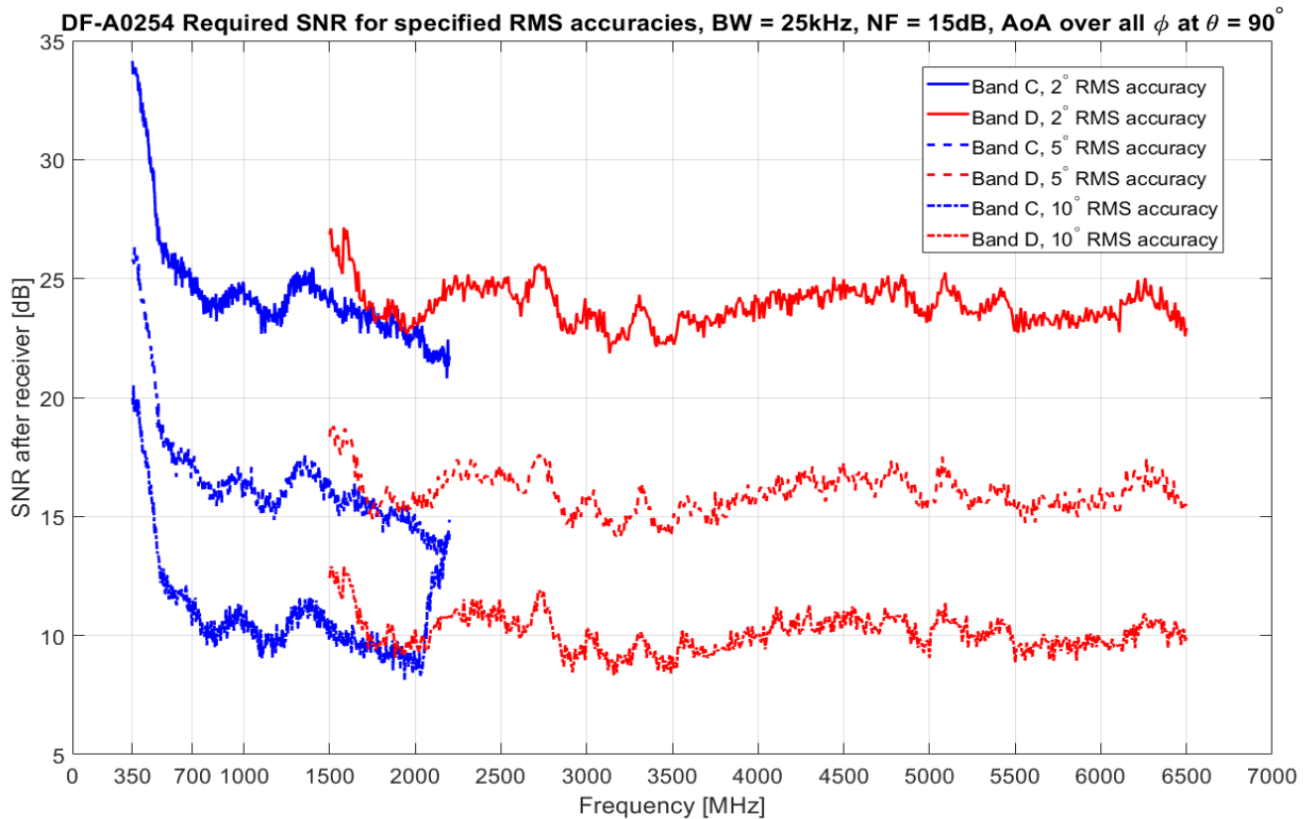
Product Code: DF-A0254

VERSION: 1.5

DF Sensitivity:



DF Required SNR:



Compact Adcock DF Antenna

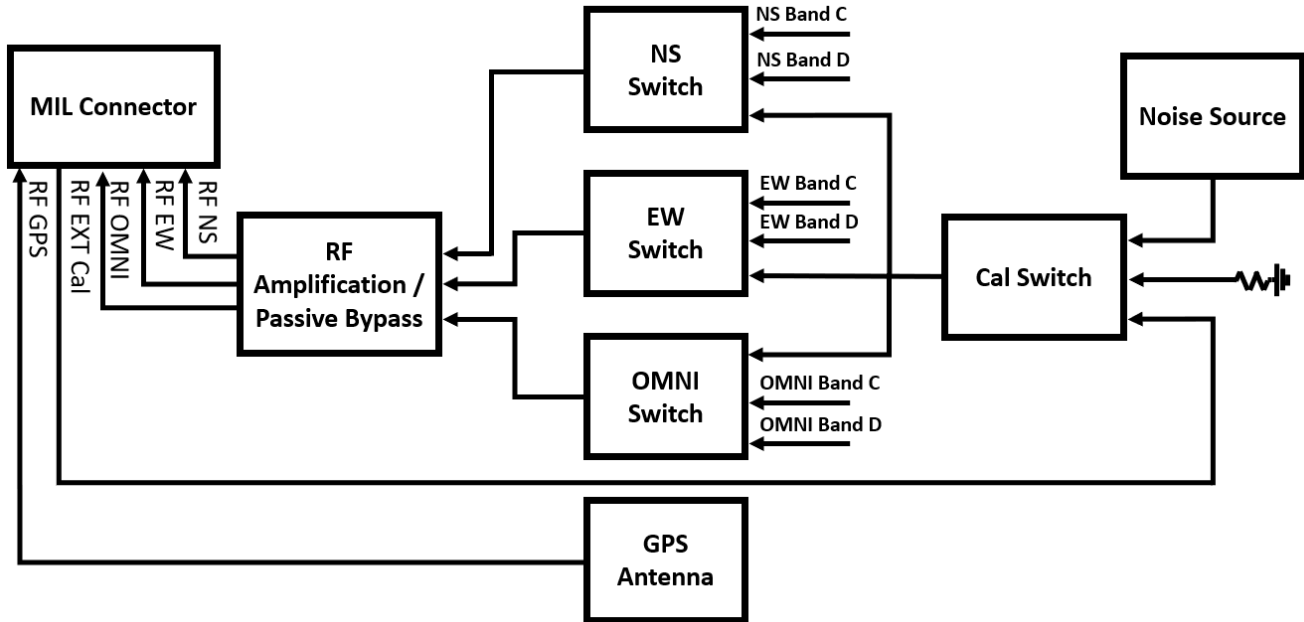
400 – 6000 MHz

Product Code: DF-A0254

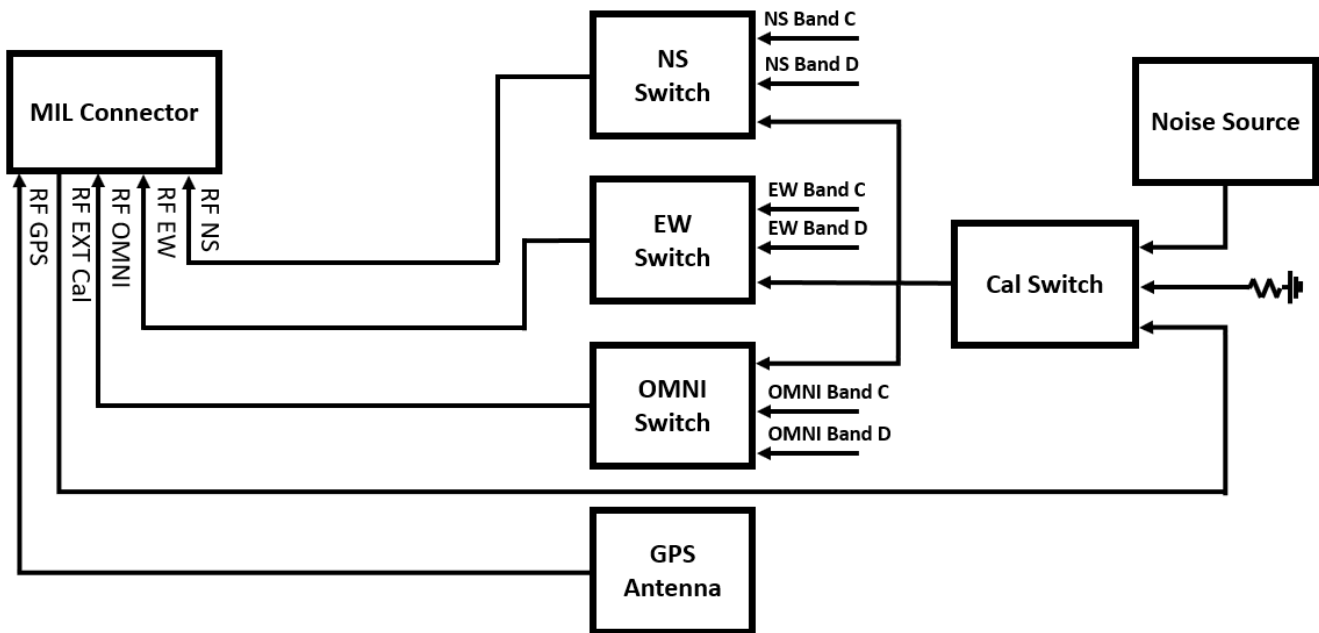
VERSION: 1.5

RF Block Diagram:

DF-A0254 / -02:



DF-A0254-01



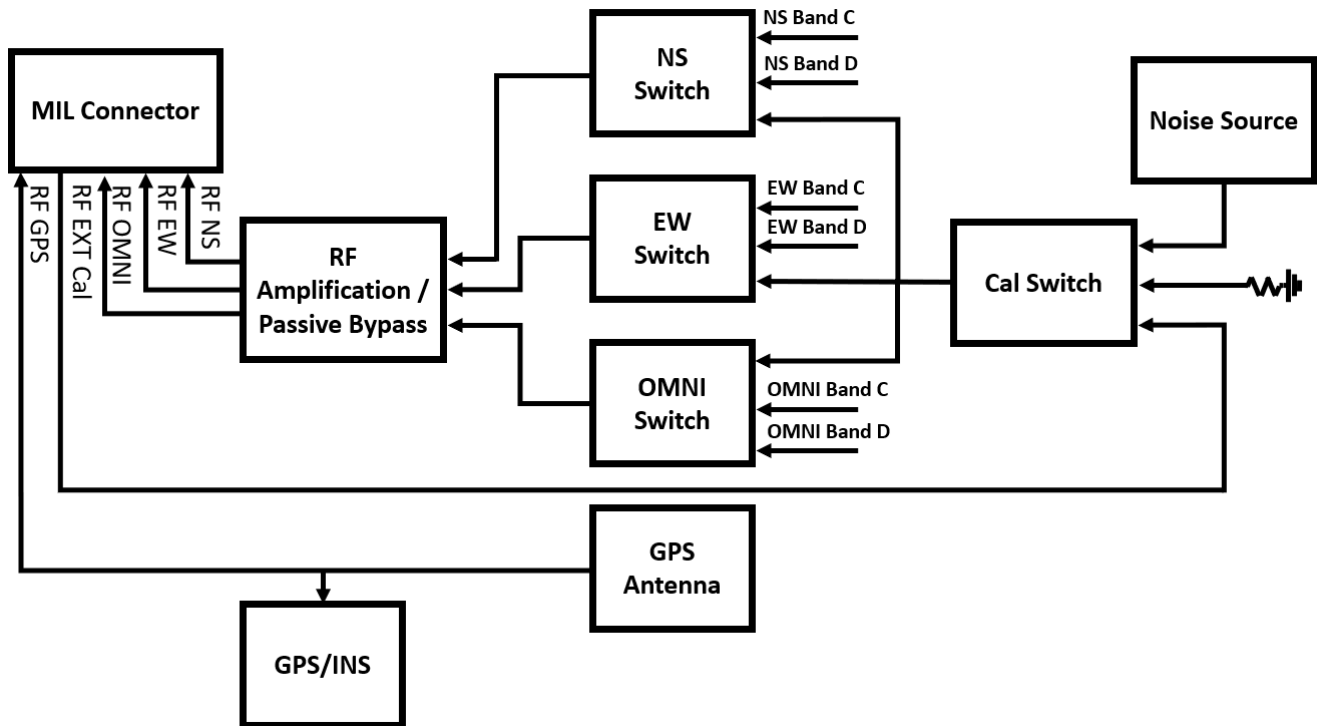
Compact Adcock DF Antenna

400 – 6000 MHz

Product Code: DF-A0254

VERSION: 1.5

DF-A0254-05:



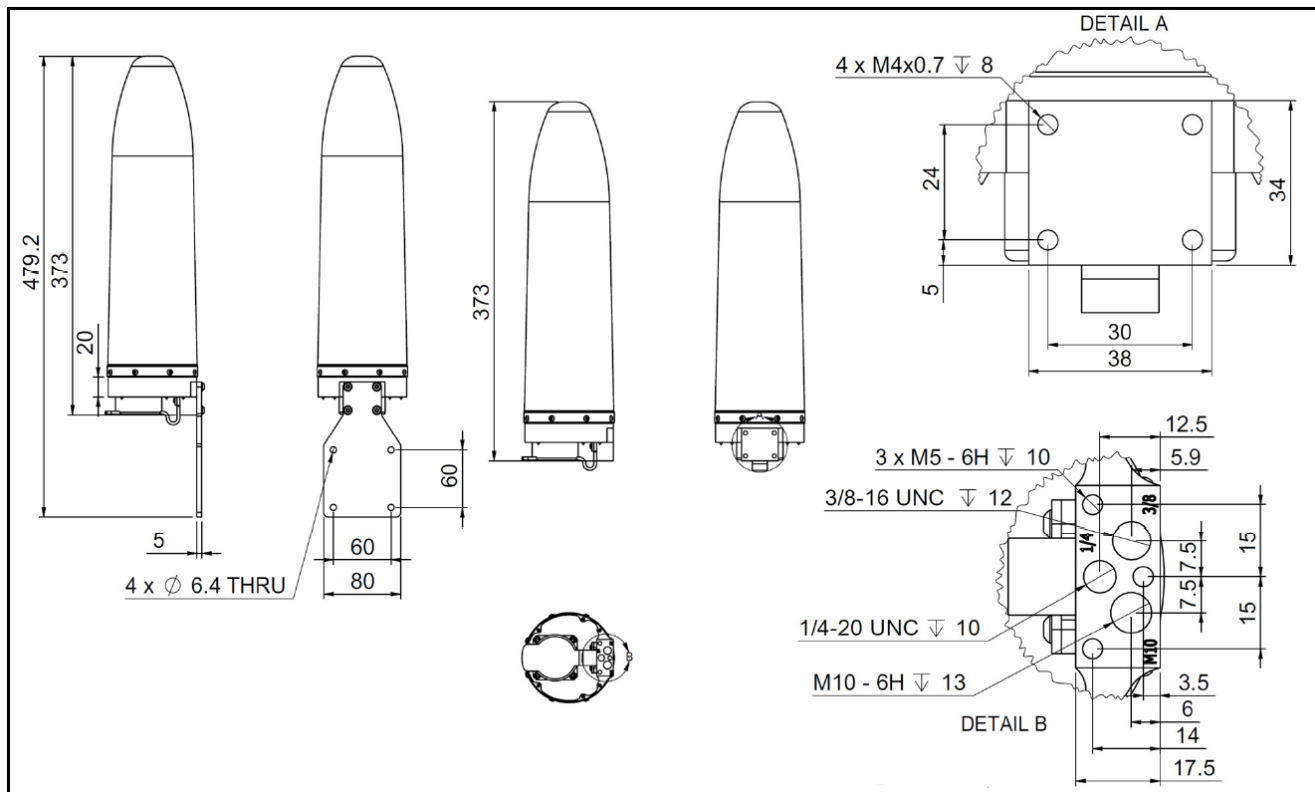
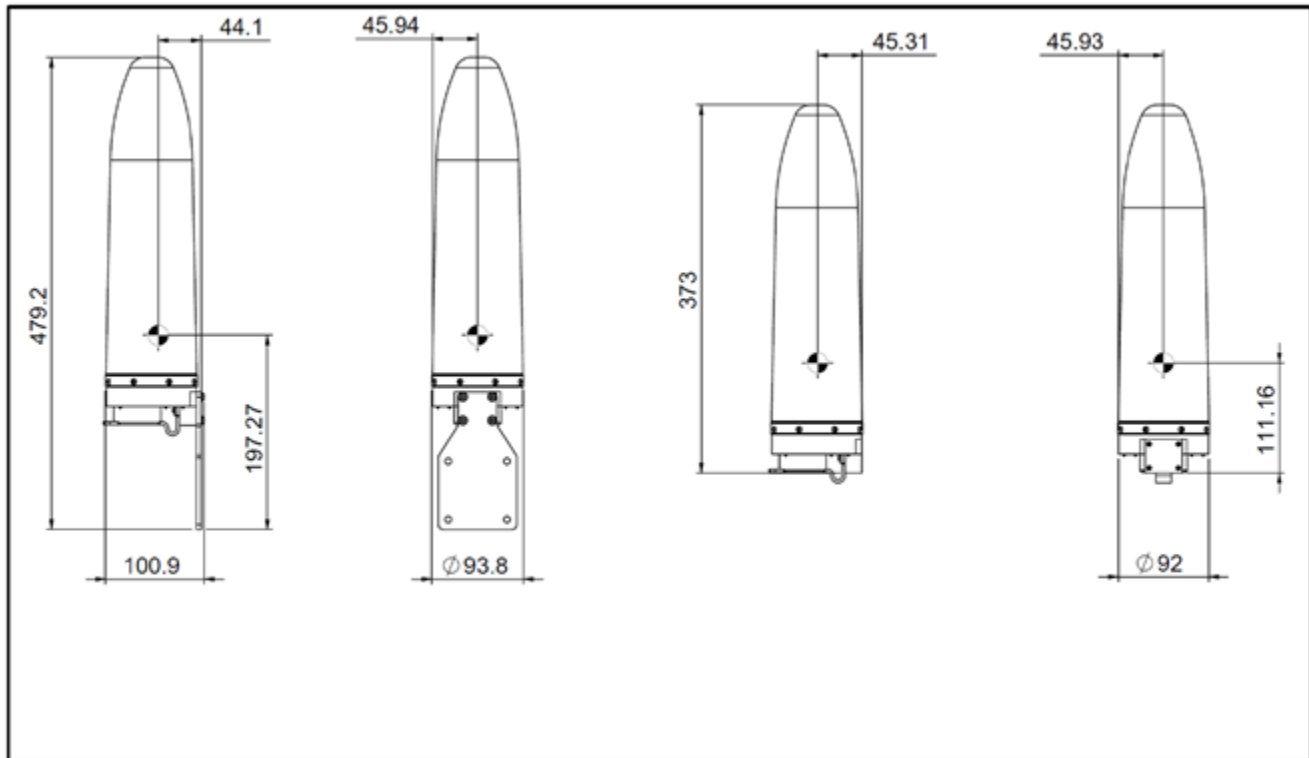
Compact Adcock DF Antenna

400 – 6000 MHz

Product Code: DF-A0254

VERSION: 1.5

Mechanical Outline:



Updated 2020-09-22



sales@alaris.co.za
www.alarisantennas.com

PAGE 6 of 6

Alaris Antennas has a policy of continuous improvement and hence specifications may change without notice

**GAIN THE
ADVANTAGE**