

HF Active Monopole

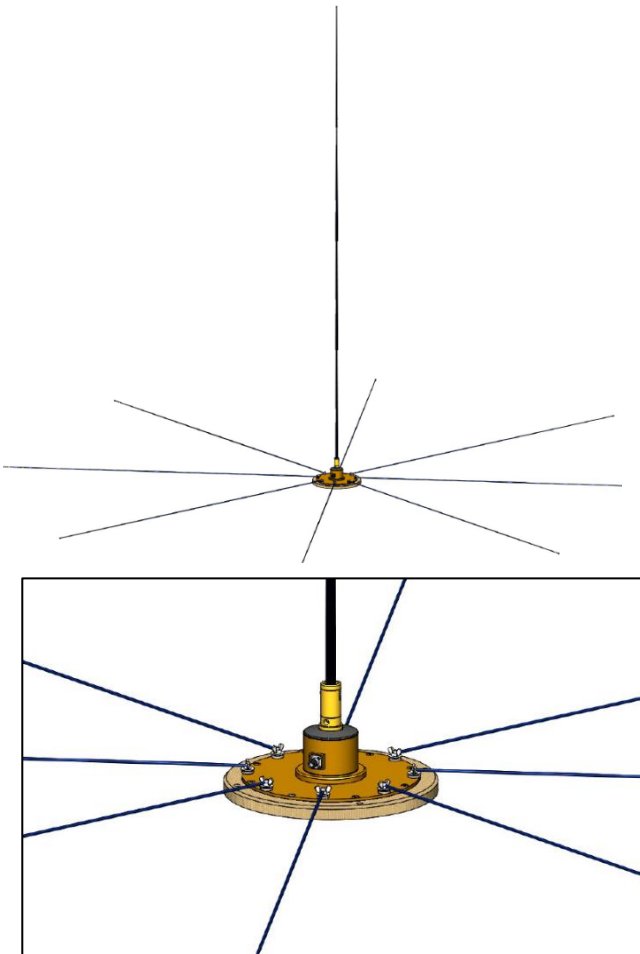
1 – 30 MHz

VERSION: 1.0

Product Code: MONO-A0085

SPECIFICATIONS:

Electrical:	
Frequency range	1 – 30 MHz
Polarisation	Vertical
Gain	See graph
Nominal input impedance	50 Ω
Connector	N-type female
Mechanical:	
Length	4 m
Total mass	<10 kg excluding packaging
Base dimensions	\varnothing 300 mm x 150 mm
Groundplane diameter	5400 mm
Mounting method	Free-standing on the ground
Environmental: designed to meet the following specifications	
Wind survival	120 km/h (5 mm ice) (when fitted with guy ropes)
Water ingress rating	IP56
Temperature	-40 $^{\circ}$ C to +55 $^{\circ}$ C (operation) Designed for MIL-STD 810E
Shock and vibration	516.4: vibration category 8, shock 40 g during transport



PRODUCT FEATURES:

- 1 to 30 MHz frequency range
- Rugged
- Quick deployment time
- Self-contained groundplane
- Glass fibre insulated radiator

APPLICATIONS:

- HF DF array element
- Linear or circular arrays
- SSL arrays

PRODUCT DESCRIPTION:

The HF active whip monopole antenna is designed for deployment on open ground and includes fast deployable groundplane whips which attach to the antenna base. The antennas' radiation pattern is suitable for medium to long range HF monitoring.

It can be deployed as part of either a linear or circular array and is quickly and easily deployed and stowed. The product can be rapidly deployed by two people within 10 minutes.

The antenna is intended for use in constructing DF interferometer arrays consisting of a number of MONO-A0085 antennas.

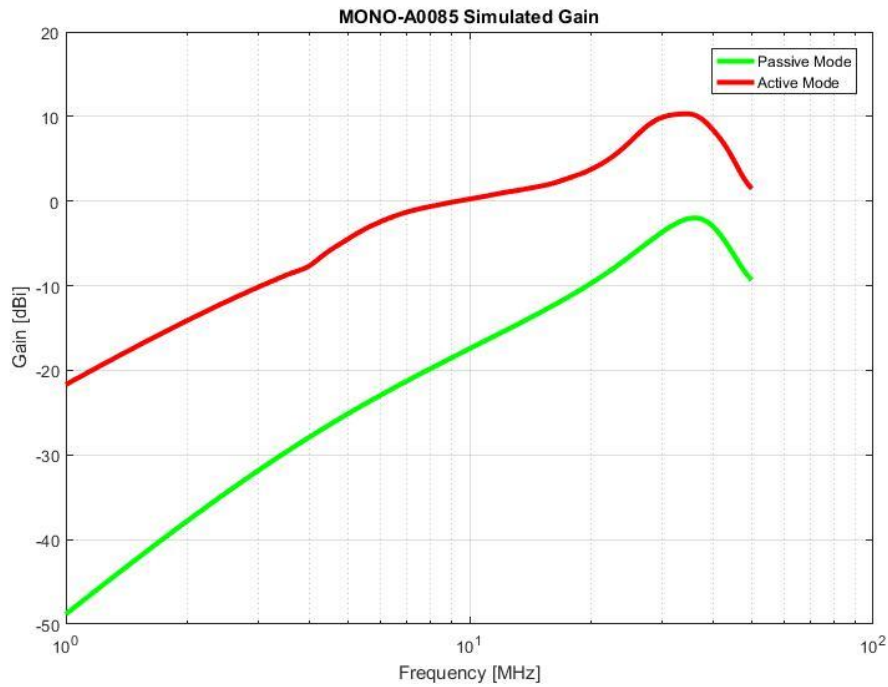
HF Active Monopole

1 – 30 MHz

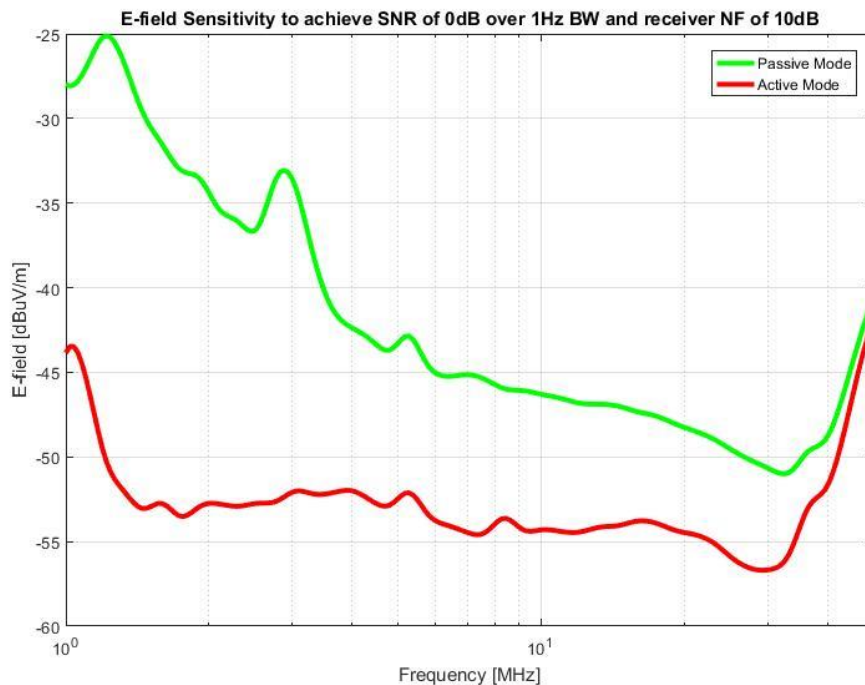
Product Code: MONO-A0085

VERSION: 1.0

GAIN:



SENSITIVITY:



HF Active Monopole

1 – 30 MHz

Product Code: MONO-A0085

VERSION: 1.0

Patterns:

