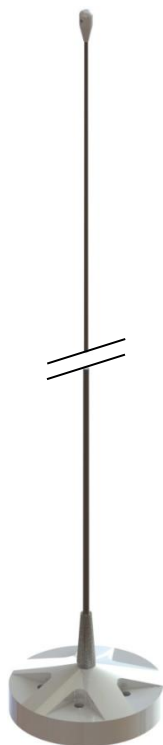


HF Monitoring Whip

9 kHz – 700 MHz

Product Code: MONO-A0059



PRODUCT FEATURES:

- Wideband receiving whip
- Removable whip antenna for storage
- Protected against lightning and ESD

APPLICATION:

- Wideband monitoring using DF-A0029

SPECIFICATIONS:

Product codes:		
MONO-A0059	White base and black whip	
MONO-A0059-01	Painted to match DF antenna	
Electrical:		
Frequency range	9 kHz – 700 MHz	
Nominal input impedance	50 Ω	
Feed power handling	0.5 W (receive only)	
Polarisation	Vertical	
Grounding	DC ground with gas arrestor for discharge protection	
Internal connectors	SMA (m) on cable	
Groundplane requirements	Groundplane dependent	
Mechanical:		
Height	1142 mm	
Height with whip removed	43 mm	
Mass	300 g	
Mounting	Directly to grounding structure or DF-A0029 antenna with supplied bolts	
Environmental: designed to meet the following specifications		
Wind survival	160 km/h	
Temperature range	Operational	Storage
MONO-A0059	-37°C to +71°C	-46°C to +71°C
MONO-A0059-01	0°C to +50°C	0°C to +60°C
Water ingress rating	IP65	

PRODUCT DESCRIPTION:

The MONO-A0059 is an HF whip designed for monitoring applications in the 9 kHz to 700 MHz frequency band.

The whip is loaded along its length to control the elevation pattern of the antenna for optimal gain performance on the horizon. The whip is detachable for storage and transport.

The MONO-A0059 antenna is well suited for the DF-A0029, where it is utilised to improve monitoring sensitivity. Every DF-A0029 is already fitted with the necessary internal cables and connectors; this whip antenna is simply connected and bolted on in place of the lifting eye plate.

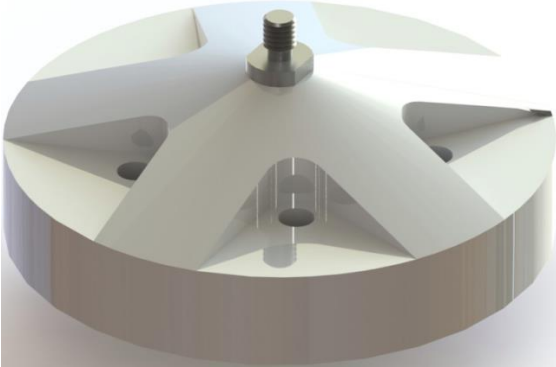
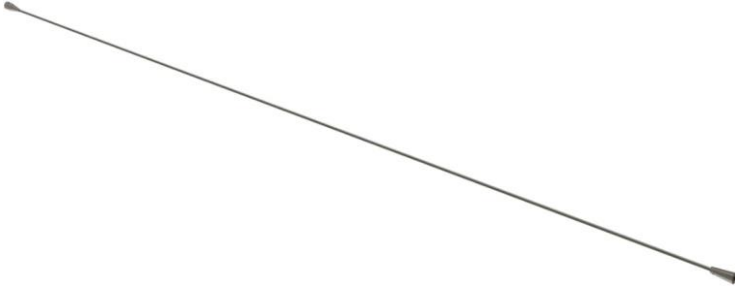
HF Monitoring Whip

9 kHz – 700 MHz

Product Code: MONO-A0059

VERSION: 1.6

Spare parts:

	White / silver	Coloured
<p style="text-align: center;">Base</p> 	<p style="text-align: center;">MONO-A0059-02</p>	<p style="text-align: center;">MONO-A0059-03</p>
<p style="text-align: center;">Whip</p> 		<p style="text-align: center;">MONO-A0059-05</p>

